

42 W SELV constant current LED driver

Product code: 5902

42 W 220 – 240 V 50 – 60 Hz

- SELV output protection for safety and flexibility in luminaires
- Low current ripple, complying with IEEE 1789 recommendation
- Suitable for use in emergency lighting applications
- Compact dimensions for flexible usage
- Integrated strain reliefs for independent installation
- Ideal solution for Class I, Class II and Class III (SELV) luminaires



Functional Description

- Adjustable constant current output: 300 mA (default) to 1050 mA
- Current setting via dip-switches
- Overload, open & short circuit protection
- Optional functional earth connection, see page 4 for more details.

Mains Characteristics

Nominal rated voltage range	220 V – 240 V, 50 – 60 Hz
Rated emergency voltage range	189 V – 255 V, 0 Hz
AC voltage range	198 VAC – 264 VAC
DC voltage range	170 VDC – 280 VDC
Mains current at full load	0.19 – 0.23 A
Frequency	50 Hz – 60 Hz
Stand-by power consumption	< 0.5 W
THD at full power	< 10 %
Leakage current to earth	< 0.7 mA
Tested surge protection	4 kV L/N-GND (IEC 61000-4-5) 2 kV L-N (IEC 61000-4-5)
Tested fast transient protection	2 kV (IEC 61000-4-4)

Insulation between circuits & driver case

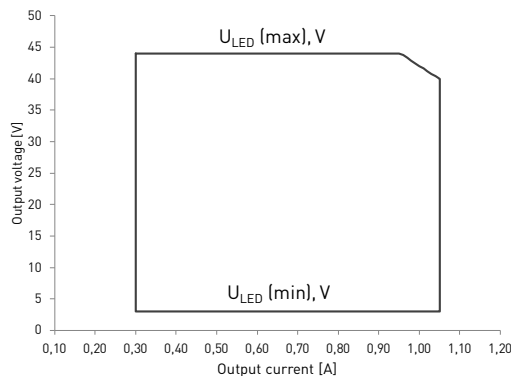
Mains circuit - SELV circuit	Double/reinforced insulation
Mains and output - Driver case	Double/reinforced insulation
Mains input - Ground input	Basic insulation

Load Output (SELV <60 V)

Output current (I_{out})	300 mA (default) – 1050 mA
Accuracy	± 5 %
Ripple	< 3 %* at ≤ 120 Hz
*] Low frequency, LED load: Cree XP-G LEDs	
U_{out} (max) (abnormal)	55 V
EOF_1 (EL use)	> 0.98 x output current with AC supply

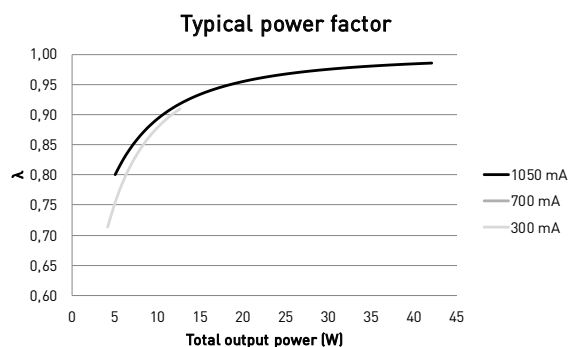
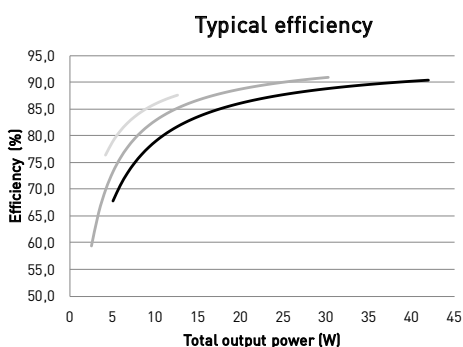
I_{LED}	300 mA	1050 mA
P_{Rated}	13 W	42 W
U_{LED}	3 - 44 V	3 - 40 V
PF (λ) at full load	0.91	0.95
Efficiency (η) at full load	87 %	90 %

Operating window



Current value is adjustable in steps via dip-switch. See dip-switch settings in page 3 for details.

Driver performance



Operating Conditions and Characteristics

Absolute highest allowed t_c point temperature	80 °C
T_c life (50 000 h) temperature	70 °C
Ambient temperature range*	-25 °C ... +40 °C*
Storage temperature range	-40 °C ... +80 °C
Maximum relative humidity	No condensation
Life time (90 % survival rate)	100 000 h, at $t_c = 60$ °C 50 000 h, at $t_c = 70$ °C 25 000 h, at $t_c = 80$ °C

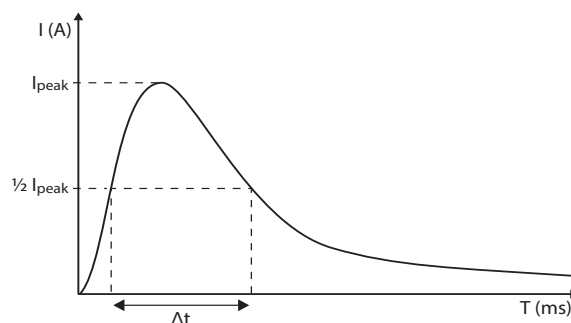
*) For other than independent use, higher t_a of the controlgear possible as long as highest allowed t_c point temperature is not exceeded

Quantity of drivers per miniature circuit breaker 16 A Type C

Based on inrush current I_{peak}	Typ. peak inrush current I_{peak}	1/2 value time, Δt
85 pcs.	5 A	50 μ s

CONVERSION TABLE FOR OTHER TYPES OF MINIATURE CIRCUIT BREAKER

MCB type	Relative quantity of LED drivers
B 10 A	37 %
B 16 A	60 %
B 20 A	75 %
C 10 A	62 %
C 16 A	100 % (see table above)
C 20 A	125 %



CONTINUOUS CURRENT

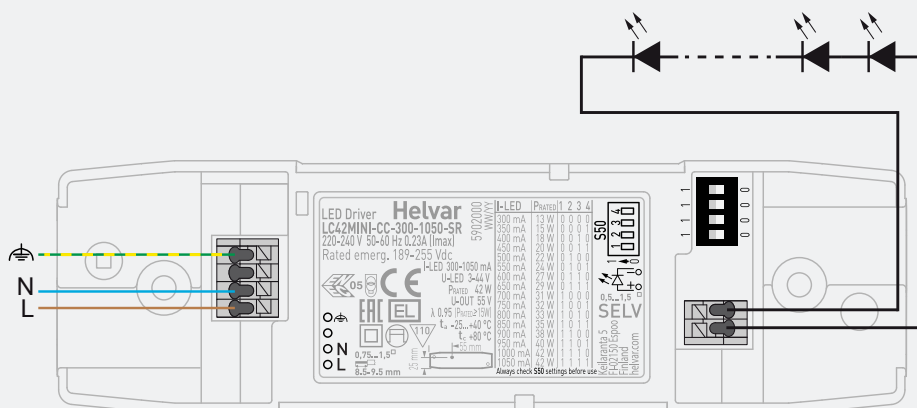
Total continuous current of the drivers and installation environment must always be considered and taken into calculations when installing drivers behind miniature circuit breaker. Example calculation of total drivers amount limited by continuous current: $n(I_{cont}) = [16 A (I_{nom,Ta}) / \text{"nominal mains current with full load"}] \times 0.76$. This calculation is an example according to recommended precautions due to multiple adjacent circuit breakers (> 9 MCBs) and installation environment (T_a 30 degrees); variables may vary according to the use case. Both inrush current and continuous current calculations are based on ABB S200 series circuit breakers. More specific information in ABB series S200 circuit breaker documentation.

NOTE! Type C MCB's are strongly recommended to use with LED lighting. Please see more details in "MCB information" document in each driver product page in "downloads & links" section.

Connections and Mechanical Data

Cable Size	Ø 2 mm – 11 mm
Wire size	Input: 0.75 mm ² – 1.5 mm ²
	Output: 0.50 mm ² – 1.5 mm ²
Wire type	Solid core and fine-stranded
Wire insulation	According to EN 60598
Maximum driver to LED wire length	1.5 m
Weight	122 g
IP rating	IP20

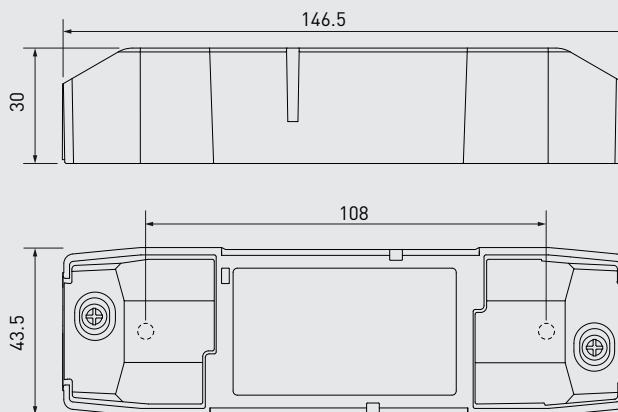
Connections



Note:

- Earth connection to functional earth terminal is optional and not needed for the functionality of the driver. See page 4 for details
- Not suitable for load side switching operation

Dimensions (mm)



In LC42MINI-CC-300-1050-SR, the current can be set with dip-switches. With each combination of switch setup, a different output current value can be set. The maximum value can be reached with all switches set to "1" (pushed towards the label, see connections picture above) and minimum with all switches set to "0". The output current values according to the dip-switch settings are presented below.

Dip-switch combinations, output currents and voltage ranges (Nominal I_{out} (±5 % tol.))

Dip-Switch combination	1111	1110	1101	1100	1011	1010	1001	1000
I _{out} (mA)	1050	1000	950	900	850	800	750	700
Voltage range	3 - 40 V	3 - 42 V	3 - 42 V	3 - 42 V	3 - 42 V	3 - 42 V	3 - 44 V	3 - 44 V
Dip-Switch combination	0111	0110	0101	0100	0011	0010	0001	0000
I _{out} (mA)	650	600	550	500	450	400	350	300
Voltage range	3 - 44 V	3 - 44 V	3 - 44 V	3 - 44 V	3 - 44 V	3 - 44 V	3 - 44 V	3 - 44 V

LC42MINI-CC-300-1050-SR LED driver is suited for independent use and built-in usage in luminaires. In order to have safe and reliable LED driver operation, the LED luminaires will need to comply with the relevant standards and regulations (e.g. IEC/EN 60598-1). The LED luminaire shall be designed to adequately protect the LED driver from dust, moisture and pollution. The luminaire manufacturer is responsible for the correct choice and installation of the LED drivers according to the application and product datasheets. Operating conditions of the LED drivers may never exceed the specifications as per the product datasheet.

Installation & operation

Maximum ambient and t_c temperature:

- For built-in components inside luminaires, the t_a ambient temperature range is a guideline given for the optimum operating environment. However, integrator must always ensure proper thermal management (i.e. mounting base of the driver, air flow etc.) so that the t_c point temperature does not exceed the t_c maximum limit in any circumstance.
- Reliable operation and lifetime is only guaranteed if the maximum t_c point temperature is not exceeded under the conditions of use.

Current setting via dip-switch

LC42MINI-CC-300-1050-SR LED driver features a constant current output adjustable via dip-switch combinations

- For the combination/current values, refer to the table on page 3.

LED driver earthing

- LC42MINI-CC-300-1050-SR is Class I LED driver suitable for Class I and II luminaires, as well as driving Class III (SELV) luminaire parts in independent installation.
- When used inside **Class I and Class II** luminaires, the earth cable is recommended to be connected to improve the EMC performance of the driver, but it is not mandatory. It is the responsibility of the integrator to ensure that the assembled luminaire EMC performance complies with the latest standards.
- If used in **independent** installation with Class I/II/III luminaires, the earth cable connection is optional.

Miniature Circuit Breakers (MCB)

- Type-C MCB's with trip characteristics in according to EN 60898 are recommended.
- Please see more details in "MCB information" document in each driver product page in "downloads & links" section.

Installation site

- The general preferred installation position of LED drivers for independent use is to have the top cover facing upwards.

Lamp failure functionality

No load

When open load is detected, driver limits output voltage according to $U_{out} (max)$ (abnormal).

Overload

Driver can withstand overload, however reliable operation is only guaranteed in specified voltage range.

Short circuit

Driver can withstand output short circuit.

Conformity & standards

General and safety requirements	EN 61347-1: 2015
Particular safety requirements for DC or AC supplied electronic control gear for LED modules	EN 61347-2-13: 2014 + A1: 2017
Additional safety requirements for AC or DC supplied electronic controlgear for emergency lighting	EN 61347-2-13: 2014 + A1:2017, Annex J
Thermal protection class	EN 61347, C5a
Mains current harmonics	EN 61000-3-2
Limits for voltage fluctuations and flicker	EN 61000-3-3
Radio frequency interference	EN 55015
Immunity standard	EN 61547
Performance requirements	EN 62384: 2006+ A1:2009
Recommended Practices for Modulating Current in High-Brightness LEDs for Mitigating Health Risks to Viewers	IEEE 1789-2015
Compliant with relevant EU directives	
RoHS/REACH compliant	
ENEC and CE marked	

Label symbols



Safety isolating control gear with short circuit protection (SELV control gear).



Double insulated control gear suitable for independent use.



Symbol for independent control gear.



Thermally controlled control gear, incorporating means of protection against overheating to prevent the case temperature under any conditions of use from exceeding 110 °C.



AC/DC supplied electronic control gear for emergency lighting purposes intended for connection to a centralized emergency power supply.