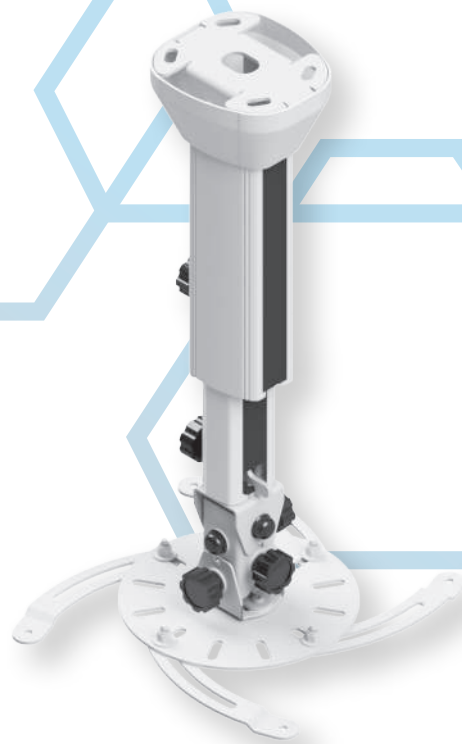


PMV100W

UNIVERSAL PROJECTOR CEILING MOUNT

4 FIXING POINTS



The reliable and robustly crafted PMV100W projector mount is the basis for any properly made audiovisual installation. The handle is characterized by a load capacity adapted to the weight of the device and protection against accidental falling out. It ensures that the projector is positioned in relation to the projection screen, so that the displayed image is of the best quality. The handle is characterized by precise and convenient adjustment of the distance to the ceiling and the possibility of hiding the wiring through the integrated cable management system. An indisputable advantage of the handle is modern design and aesthetics of workmanship, thanks to which it works great in the most prestigious interiors.

FEATURES

- Modern Design with a high-end finish
- Aluminum construction with a semi-textured powder coat or anodized finish
- Ceiling plate covers to hide fixings included
- Micro-Adjustment mechanism ensures precise installation
- Universal for all key projectors with multiple fixing points
- Distance from ceiling to projector from 475 mm to 650 mm
- Internal cable management in tube
- 45° horizontal adjustment

PRODUCT SPECIFICATIONS

Short index	PMV100W
Product group	Projector Mounts
Category	Projector Ceiling Mounts
Colour	White
Warranty	Limited 5-years
Maximum load	15 kg
Forward tilting	-7,5°/+7,5°
Height adjustment	Yes



15 kg



-7,5°/+7,5°



475-650



-25°/+25°



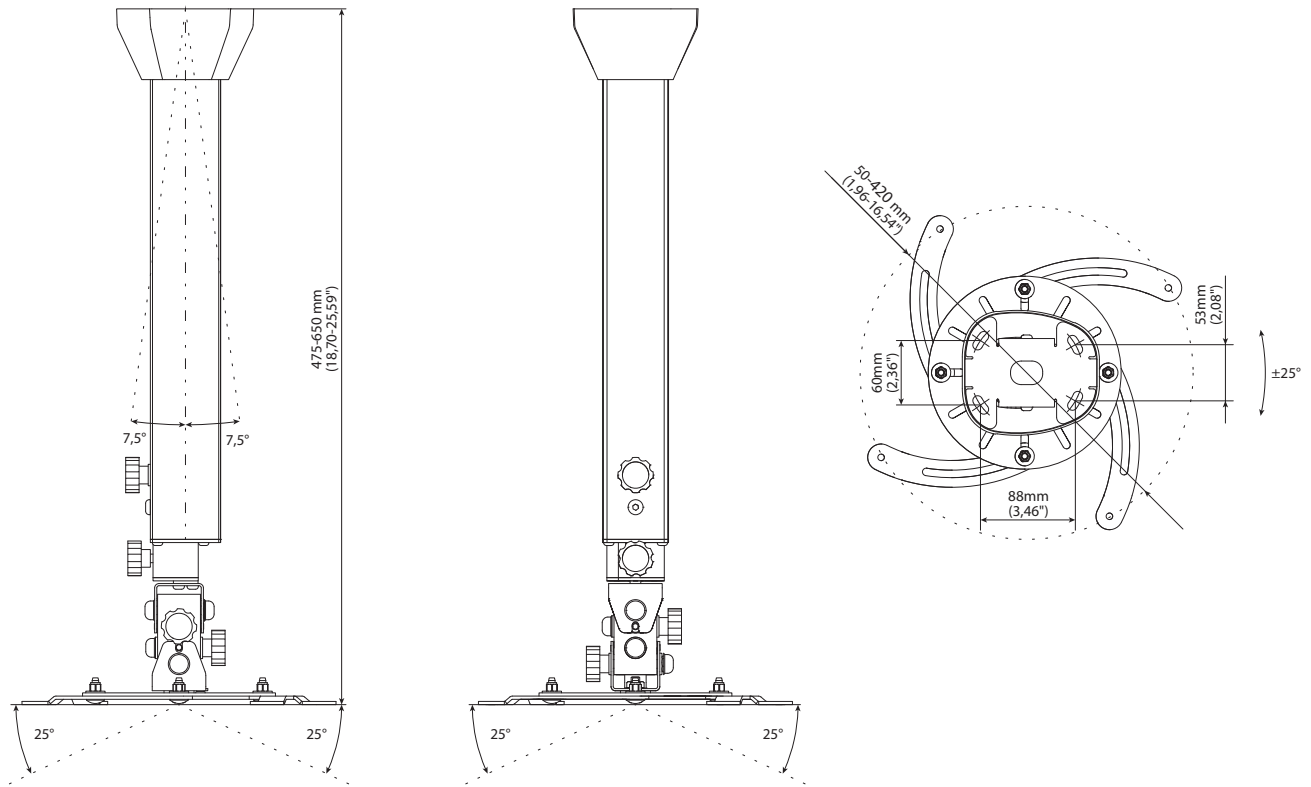
4 mounting holes



Tilt adjustment and rotation



Height adjustment


TECHNICAL SPECIFICATIONS

Product dimensions	W: 180 mm D: 180 mm H: 475 mm (W:7,08" D:7,08" H:18,70")
Product weight	3,5 kg (7,71 lb)
Max. distance from mounting surface	650 mm (22,59")
Min. distance from mounting surface	475 mm (18,70")
Max. mounting pattern	420 mm (16,54")
Min. mounting pattern	50 mm (1,96")

LOGISTICS DATA

SAP INDEX	EAN CODE	COLOUR	PACKAGE DIMENSIONS	PACKAGE WEIGHT
WUSU-PMV100W	5902841133877	WHITE	660 x 210 x 160 mm 25,98 x 8,26 x 6,29"	4,1 kg 9,03 lb

HS Code (Harmonized System): 732690, HTS Code (Harmonized Tariff Schedule): 7326909890, Country of Origin: Poland

ACCESSORIES AND RELATED PRODUCTS


PMV200W



PMV300W



PMV400

2022 - EDBAK Sp. z o.o. All rights reserved.
The information included in the specifications reflects the current technical specifications at the time of printing. We reserve the right to modify technical or physical specifications without prior notice. EDBAK name and EDBAK logo are registered trademarks of EDBAK Sp. z o.o. All EDBAK images and symbols are sole property of EDBAK Sp. z o.o. Edbak shall not be held liable for any loss or damage caused by incorrect installation or mounting. Copying this specification in whole or in part is only allowed after obtaining written consent from EDBAK Sp. z o.o.
PMV100W-211001-EN