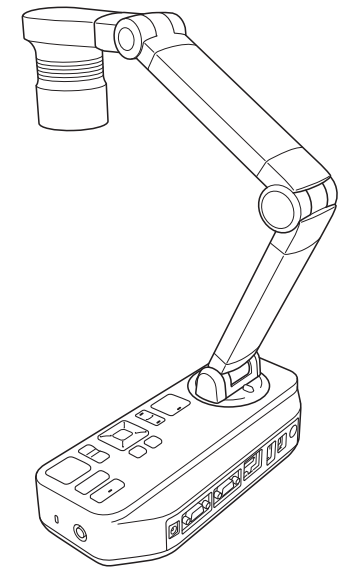


EPSON®
EXCEED YOUR VISION

ELPDC21

Document Camera User's Guide





Meaning of Symbols in the Guide



- **Symbols for Safety**

The documentation and this product use graphical symbols to show how to use this product safely.

The indications and their meaning are as follows. Make sure you understand and respect these caution symbols to avoid injury to persons or property.

| | |
|--|--|
|  Warning | This symbol indicates information that, if ignored, could possibly result in personal injury or even death due to incorrect handling. |
|  Caution | This symbol indicates information that, if ignored, could possibly result in personal injury or physical damage due to incorrect handling. |

- **Symbols for General Information**

| | |
|---|---|
| Attention | Indicates information that, if ignored, could cause the product to malfunction or cause damage. |
|  | Indicates additional information and points which may be useful to know regarding a topic. |
|  | Indicates a page where detailed information regarding a topic can be found. |
| [Name] | Indicates button names for the remote control or the control panel. Example: [Return] button |
| Menu Name | Displays Configuration menu items. Example: Select Brightness from Picture Quality . Picture Quality - Brightness |

Safety Instructions

Read this *User's Guide* and follow all safety instructions for your document camera. Keep this guide at hand for future reference.

Environmental Precautions

Warning

Do not use or store the document camera or remote control in a hot location, such as near a heater, in direct sunlight, or in a closed vehicle. Thermal damage, fire, or malfunction may occur.

Do not use or store the document camera outdoors for an extended length of time, or where it may be exposed to rain, water, or excessive humidity. Fire or electric shock may result.

Do not use or store the document camera where it may be exposed to smoke, steam, corrosive gases, or excessive dust. Fire or electric shock may result.

Caution

Do not set up the document camera near high-voltage electrical wires or sources of magnetic fields. This may interfere with correct operation.

Operate in the proper environmental conditions. ➡ "General Specifications" [p.58](#)

Do not place or store the document camera where it is accessible to small children. It may drop or tip over, causing personal injury.

Do not place the document camera where it may be exposed to vibration or shock.

Electrical Precautions

Warning

Never open any covers on the document camera except as specifically explained in this *User's Guide*. Never attempt to disassemble or modify the document camera. Refer all repairs to qualified service technicians.

Unplug the document camera from the outlet and contact your local dealer or Epson for help under the following conditions:

- If smoke, strange odors, or strange noises come from the device
- If liquid or foreign objects get inside the device
- If the device has been dropped or the housing has been damaged

Continuing to use under these conditions may result in fire or electric shock.

Do not attempt to use any adapter other than the AC adapter and power cord included with the device. Using an improper adapter may cause damage, overheating, fire, or electric shock.

Be sure to use the AC adapter with the proper voltage indicated in this guide. Use of a different power source may result in fire or electric shock.

If the AC adapter, power cord, or document camera is damaged, turn the power off, unplug the AC adapter from the electrical outlet, and contact your local dealer or Epson for help.

Do not touch the device, the AC adapter, or the plug with wet hands. Otherwise, you may receive an electric shock.

Do not use a power cord that is damaged. This may result in fire or electric shock. Take the following precautions when handling the power cord:

- Do not modify the power cord.
- Do not place heavy objects on the power cord.
- Do not bend, twist or pull the power cord excessively.
- Keep the power cord away from hot electrical appliances.

Take the following precautions when handling the plug. Failure to comply with these precautions could result in fire or electric shock.

- Do not overload wall outlets, extension cables, or power strips.
- Do not insert the plug into a dusty outlet.
- Insert the plug firmly into the outlet.
- Do not pull the power cord when disconnecting the plug; always be sure to hold the plug when disconnecting it.

Do not touch the plug during an electrical storm. Otherwise, you may receive an electric shock.

The cords included with this product contain chemicals, including lead, known to the State of California to cause birth defects or other reproductive harm. Wash hands after handling. (This notice is provided in accordance with Proposition 65 in Cal. Health & Safety Code § 25249.5 and following.)

Caution

Turn off the document camera and unplug it after use.

Make sure the power is turned off, the plug is disconnected from the outlet, and all cables are disconnected before moving the document camera.

If a malfunction occurs due to static electricity, thunder, and so on, the product begins recovery operations. During recovery operations, do not touch any switches on the product.

Installation Precautions

Warning

Do not use adhesives to prevent the screws from loosening and do not use oils or lubricants. This may cause the document camera housing to crack and could cause serious injury.

Caution

Do not place the document camera in an unstable location, such as on a shaky table or slanted surface. The document camera may drop or tip over, causing personal injury. If you use a table, cart, or stand, make sure it is stable and will not fall over.

When using the mounting points under the document camera to secure it to a table, cart, or stand, fasten the two bolts securely but do not overtighten them. Do not use adhesives.

Do not place the document camera in a poorly ventilated place where heat can accumulate.

Do not place the document camera on a carpet, blanket, and so on, or cover it during use.

Do not install the document camera in a hot location, such as near a heater.

Route cables so that they are not a tripping hazard. Otherwise, they could trip someone and cause a fall or injury.

Cleaning Precautions

Warning

Use a dry cloth (or, for stubborn stains, a moist cloth that has been wrung dry) for cleaning. Do not use liquid, aerosol cleaners, or solvents such as alcohol, thinner or benzine.

Do not place any containers of liquid on top of or near the document camera.

Do not spill liquid or spray fine mist into the document camera. Liquids entering the document camera may cause malfunction, fire, or electric shock. If you spilled liquid, turn the power off, unplug the AC adapter from the electrical outlet, and contact your local distributor. Using the damaged device may cause fire or electric shock.

Never allow objects of any kind to enter any openings in the document camera. Do not leave objects, especially flammable objects, near the document camera. Doing so may result in fire or electric shock.

Caution

Unplug the AC adapter from the outlet before cleaning to prevent electric shock.

Usage Precautions

Caution

Do not look into the lens when the LED illumination lamp is on. The bright light can damage your eyes.

Do not use excessive force when adjusting the document camera. The document camera may be broken, resulting in personal injury.

Do not place heavy objects on document camera. Otherwise, it may be damaged.

Do not try to press the arm flat or fold it backwards. Otherwise, it may be damaged.

Battery Precautions

Warning

Incorrect battery usage may cause batteries to rupture and leak battery fluid, which could result in fire, injury, or corrosion of the remote control.

If battery fluid gets in your eyes, do not rub your eyes. Wash them well with clean water and contact a doctor immediately.

If battery fluid enters your mouth, rinse immediately with plenty of water and contact a doctor immediately.

If battery fluid comes in contact with your skin or clothes, wash with water to prevent possible skin damage.

Keep batteries out of the reach of children; they are choking hazards and are very dangerous if swallowed.

Prepare two replacement manganese or alkaline AA batteries. Do not install batteries of different types, or mix new and old batteries.

Insert batteries so that the polarities (+ and -) are correct. Not doing so may cause leakage, overheating, or explosion.

Be sure to replace both batteries with new ones of the same type. Not doing so may cause leakage, overheating, or explosion.

Remove the batteries if you will not be using the remote control for a long period of time. When a battery runs down, take it out of the remote control immediately. If a used-up battery is left inside for a long time, gas emitted from the battery may cause leakage, overheating, explosion, or damage to the remote control.

Do not expose batteries to heat, flame, or water.

Dispose of used batteries according to local regulations.

Meaning of Symbols in the Guide 2

Safety Instructions 3

Introduction

Included Items 11

Document Camera Parts 12

- Top/Side/Rear 12
- Camera Head 12
- Control Panel 13
- Interface 14
- Base 14

Remote Control Buttons 15

- Remote Control 15
- Projector operations 15
- Document camera operation 15

Connecting

Connecting the Document Camera Directly to a Projector 18

- Connecting Using a Computer Cable (Supplied) 18
- Connecting Using an HDMI Cable 18
- When Using a Computer 18

Connecting to a Projector Using a Computer 20

Projecting

Positioning the Document Camera 22

Plugging In and Turning On 23

Projecting 24

- Switching the Projected Image 25
- Outputting Images and Sound 26
- Freezing an Image 26
- Projecting Small Objects 26
- Displaying Whiteboard Images 26
- Projecting Through a Microscope 27

Turning Off 29

Displaying Saved Images as a Slideshow

Saving Images 31

Recording Movies 32

Displaying a Slideshow (SD Card Viewer Function) 33

- Dividing the Screen and Displaying Two Images (Split Screen) 34
- Displaying live images and images on an SD card 35
- Displaying two images on an SD card 36
- Available combinations for the Split Screen function 37

Image Adjustments and Effects

Using the On-screen Menu 39

On-Screen Menu Table 40

- Image Menu 40
- Function Menu 41
- SD Card Menu 42
- Info Menu 43

Using the Computer Software

| | |
|---|-----------|
| Using Easy Interactive Tools | 45 |
| Operating Requirements | 45 |
| Installing | 46 |
| Uninstalling | 46 |
| Using Other Software | 48 |
| Installing | 48 |
| Uninstalling | 48 |

Solving Problems

| | |
|--|-----------|
| Problems and Solutions | 50 |
| Operation Problems | 50 |
| Image Quality Problems | 50 |
| SD Card Problems | 50 |
| Problems Connecting a Laptop | 51 |
| Epson Projector Contact List | 52 |
| EUROPE | 52 |
| AFRICA | 54 |
| MIDDLE EAST | 54 |
| NORTH, CENTRAL AMERICA & CARIBBEAN ISLANDS | 55 |
| SOUTH AMERICA | 55 |
| ASIA AND OCEANIA | 55 |

Notices

| | |
|------------------------------|-----------|
| Specifications | 58 |
| General Specifications | 58 |

| | |
|---|-----------|
| Symbols Indicating the Device Meets the IEC60950-1 A2 Safety Standards | 60 |
| General Notice | 62 |
| Copyrights and Trademarks | 63 |
| Responsible Use of Copyrighted Materials | 63 |
| Trademarks | 63 |



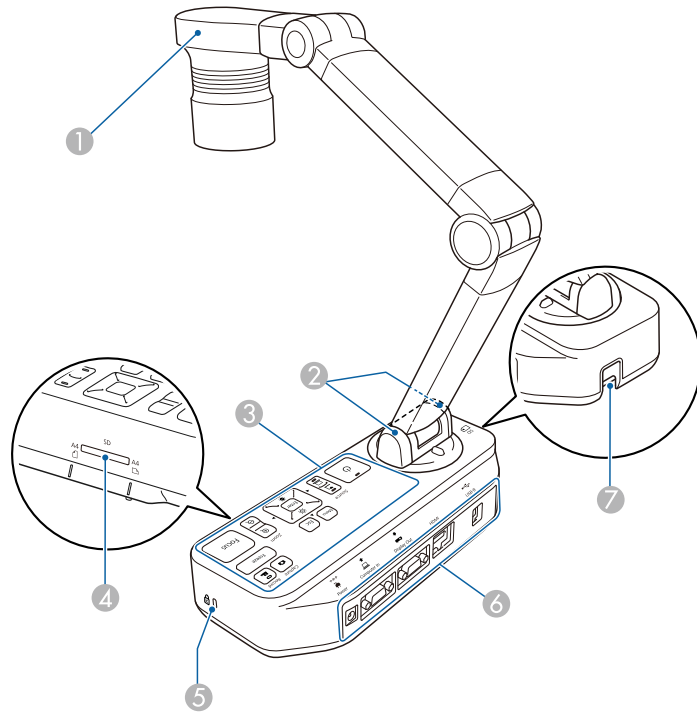
Introduction

You can use this document camera to capture and project pages from books or other documents, and even three-dimensional objects. You can also use the software supplied to operate the document camera from a computer.



- Remote control with 2 AA batteries
- Power cord and adapter
- Computer cable
- USB cable
- EPSON Document Camera Software CD-ROM
- Document CD-ROM
- Quick Start Guide
- Microscope adapter

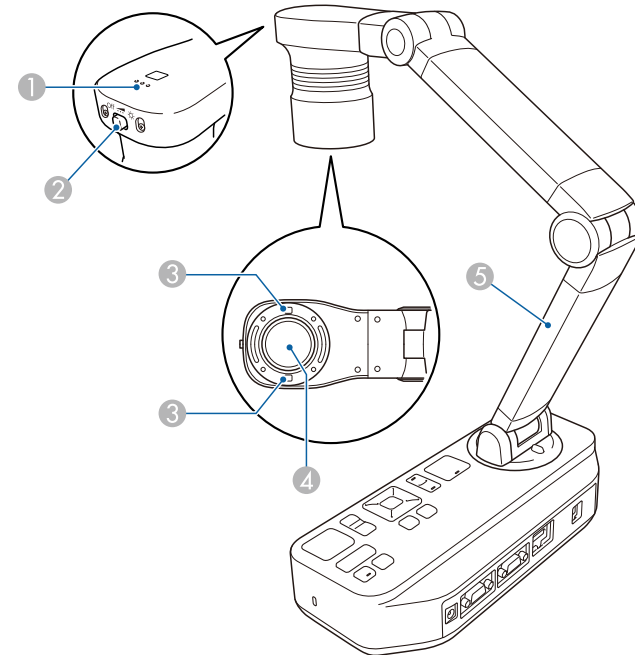
Top/Side/Rear



| | Name | Function |
|---|-----------------|--|
| ① | Camera head | ☛ "Camera Head" p.12 |
| ② | Remote receiver | Receives signals from the remote control. |
| ③ | Control panel | ☛ "Control Panel" p.13 |
| ④ | SD card slot | Lets you save and display images on an SD card. ☛ "Displaying Saved Images as a Slideshow" p.30 |
| ⑤ | Security slot | The security slot is compatible with the Microsaver security system manufactured by Kensington. |
| ⑥ | Interface | ☛ "Interface" p.14 |

| | Name | Function |
|---|-----------------------------------|---|
| ⑦ | Security cable installation point | Lets you attach a commercially available security cable to lock the document camera in place. |

Camera Head

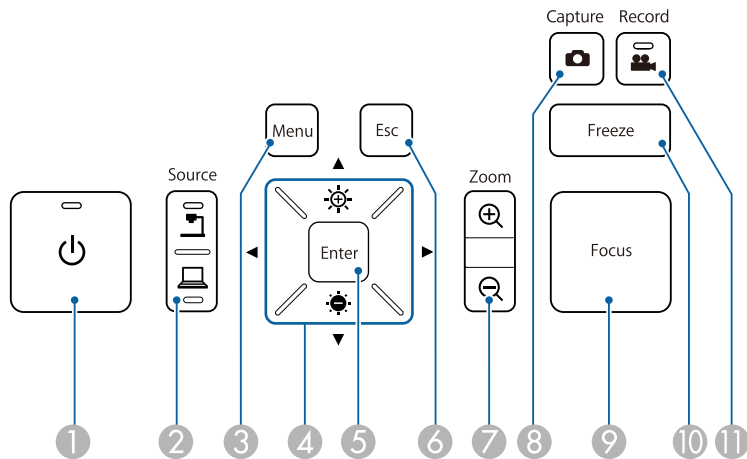


| | Name | Function |
|---|-----------------|--|
| ① | Microphone | Captures sound when you record a video. |
| ② | [☛] Lamp switch | Changes the LED lamp status in three steps: bright, dim, and off. |
| ③ | LED lamp | Provides additional light when there is not enough light on your document. |
| ④ | Camera lens | Captures the image. |

| Name | Function |
|--------------|--|
| 5 Camera arm | Extends or retracts to adjust the height of the camera head. |

Attention
Do not rub the lens with harsh materials or subject it to shock, as it can be easily damaged. Use a soft cloth to gently wipe the lens.

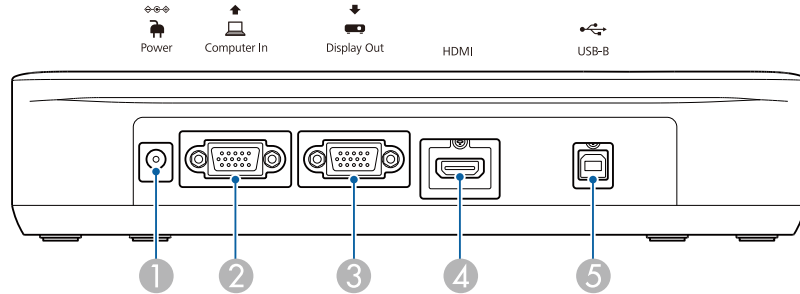
Control Panel



| Name | Function |
|------------------------------|---|
| 1 [⏻] power button | Turns the document camera on or off. |
| 2 [Source] button [🖥] [📄] | Switches the output image to the device connected to the Display Out port. [🖥]: Projects images (live or on an SD card) from the document camera. [📄]: Projects images from a computer connected to the Computer In port. |

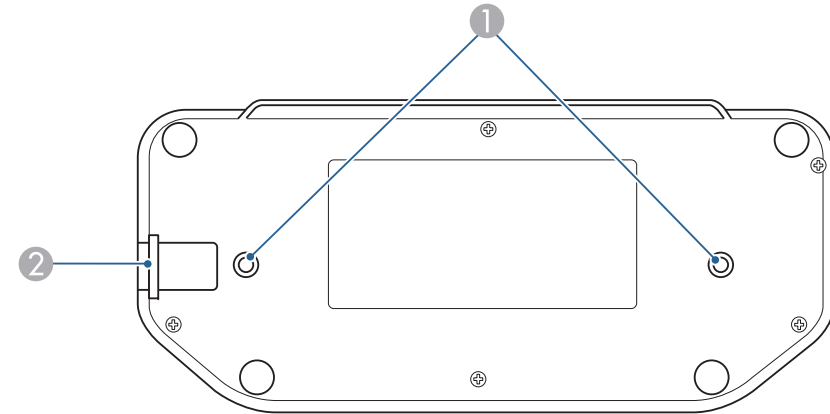
| Name | Function |
|----------------------------|---|
| 3 [Menu] button | Opens and closes the menu. |
| 4 [▲] [▼] [◀] [▶] buttons | When the menu screen is displayed, pressing these buttons selects menu items and setting values. |
| [-☀] [☀-] buttons | Adjusts the brightness of the image if pressed while projecting images from the document camera. |
| [◀] [▶] buttons | Adjusts the focus of the image if pressed while projecting images from the document camera. |
| 5 [Enter] button | <ul style="list-style-type: none"> When the menu is displayed, pressing this button confirms the current item. Displays the SD Card menu and images on the SD card if pressed while projecting live images. ☞ "Displaying a Slideshow (SD Card Viewer Function)" p.33 |
| 6 [Esc] button | Stops the current function. When the menu is displayed, pressing this button moves to the previous menu level. |
| 7 [Zoom] button [⊕] [⊖] | Enlarges or reduces the image without changing the projection size. |
| 8 [Capture] button [📷] | Captures still images. ☞ "Saving Images" p.31 |
| 9 [Focus] button | Focuses the image automatically. The document camera cannot focus on objects that are approximately 10 cm (4 inches) or less from the surface of the camera lens. |
| 10 [Freeze] button | Freezes live images. Press the button again to resume projection. |
| 11 [Record] button [🎥] | Starts and stops video recording. |

Interface



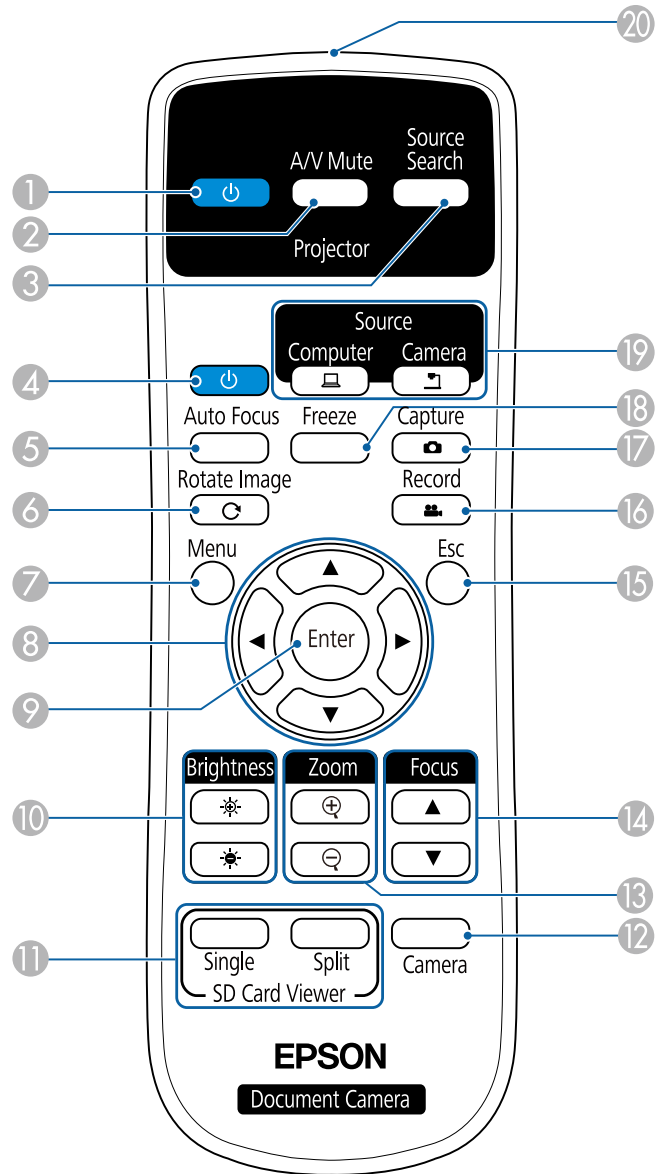
| | Name | Function |
|---|-------------------------------|---|
| ① | Power (AC adapter/DC In) port | Connects the supplied power cord and adapter. |
| ② | Computer In port | Inputs image signals from a computer. |
| ③ | Display Out port | Outputs images to image devices such as projectors. |
| ④ | HDMI port | Outputs images and audio to a video device that is compatible with HDMI signals. |
| ⑤ | USB-B (TypeB) port | Connects the document camera to your computer with the USB cable supplied. By using the software supplied, you can operate the document camera from a computer. |

Base



| | Name | Function |
|---|-----------------------------------|---|
| ① | Mounting points | You can attach the document camera to a table, cart, or stand with commercially available M4 bolts. You can thread them to a maximum depth of 9 mm (0.35 inch). Attention Fasten the bolts securely but do not overtighten them. Do not use adhesives. |
| ② | Security cable installation point | Lets you attach a commercially available security cable to lock the document camera in place. |

Remote Control



Projector operations

| | Name | Function |
|---|------------------------|---|
| ① | [⏻] power button | When used with an Epson projector, turns the projector on or off.* You cannot operate the document camera with this button. |
| ② | [A/V Mute] button | Turns the video and audio of an Epson projector on or off.* |
| ③ | [Source Search] button | Changes the input source connected to an Epson projector.* |

* This is not supported by some projectors. For more details, contact your local dealer or the nearest service center provided in this guide.

☛ "Epson Projector Contact List" p.52

Document camera operation

| | Name | Function |
|---|------------------------------|--|
| ④ | [⏻] power button | Turns the document camera on or off. You cannot operate a projector with this button. |
| ⑤ | [Auto Focus] button | Focuses the image automatically. The document camera cannot focus on objects that are approximately 10 cm (4 inches) or less from the surface of the camera lens. |
| ⑥ | [Rotate Image] button [↻] | Lets you turn an image upside-down. |
| ⑦ | [Menu] button | Opens and closes the menu. |
| ⑧ | [▲][▼][◀][▶] buttons | When the menu screen is displayed, pressing these buttons selects menu items and setting values. |
| ⑨ | [Enter] button | <ul style="list-style-type: none"> • When the menu is displayed, pressing this button confirms the current item. • Displays the SD Card menu and images on the SD card if pressed while projecting live images. |

| | Name | Function |
|----|------------------------------------|--|
| 10 | [Brightness] button [☀] [☿] | Adjusts the projected image brightness. |
| 11 | [SD Card Viewer] button | Projects images and movies on the SD card as a slideshow. Press the [Single] button to display the image on one screen, and press the [Split] button to display two images on the left and right. ☛ "Displaying a Slideshow (SD Card Viewer Function)" p.33 |
| 12 | [Camera] buttons | Projects live images from the document camera. |
| 13 | [Zoom] button [⊕] [⊖] | Enlarges or reduces the image without changing the projection size. |
| 14 | [Focus] button [▲] [▼] | Adjusts the focus of the image manually. |
| 15 | [Esc] button | Stops the current function. When the menu is displayed, pressing this button moves to the previous menu level. |
| 16 | [Record] button [📹] | Starts and stops video recording. |
| 17 | [Capture] button [📷] | Captures still images. |
| 18 | [Freeze] button | Freezes live images. Press the button again to resume projection. |
| 19 | [Source] button [💻] [📷] | Switches the output image to the device connected to the Display Out port. [💻]: Projects images from a computer connected to the Computer In port. [📷]: Projects images (live or on an SD card) from the document camera. |
| 20 | Remote control light-emitting area | Outputs remote control signals. |



Connecting

Follow the instructions in this section to set up the document camera.

You can connect the document camera directly to image devices, such as a projector or external monitor, using a computer cable or HDMI cable.

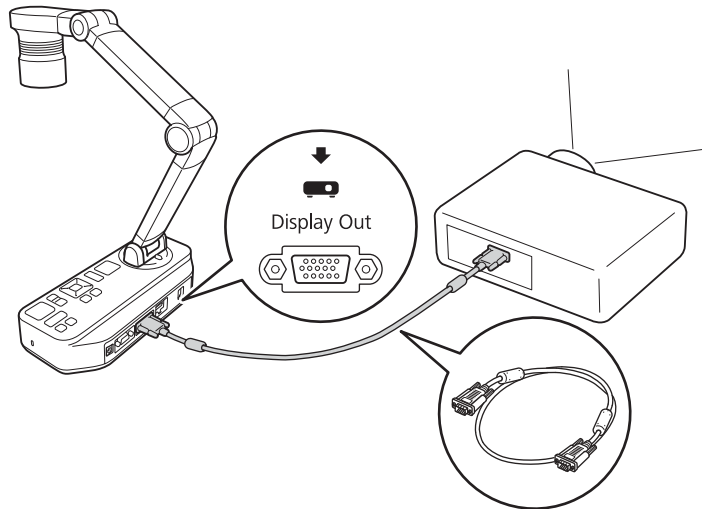


You can also connect the document camera to a projector through a computer.

☛ "Connecting to a Projector Using a Computer" [p.20](#)

Connecting Using a Computer Cable (Supplied)

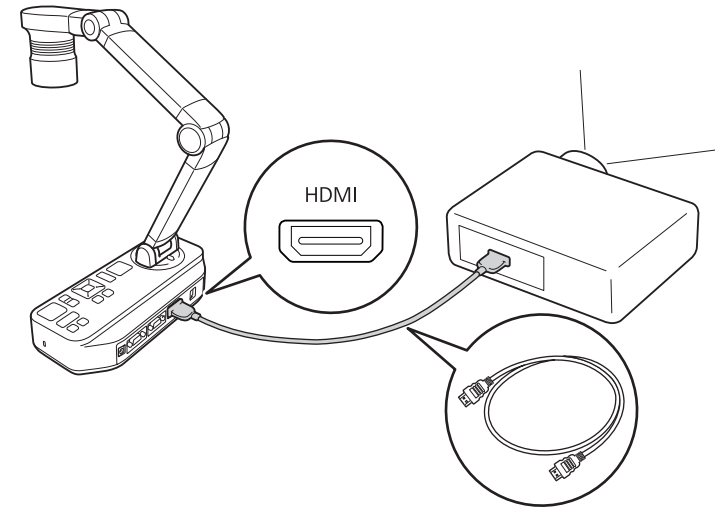
Connect the Display Out port on the document camera to a projector using the computer cable. Images (live or on an SD card) from the document camera are output from the projector. Audio is not output.



Connecting Using an HDMI Cable

Connect the HDMI port on the document camera to a projector using an HDMI cable (commercially available). Images (live or on an SD card) from

the document camera are output from the projector. Only audio from the SD card is output.

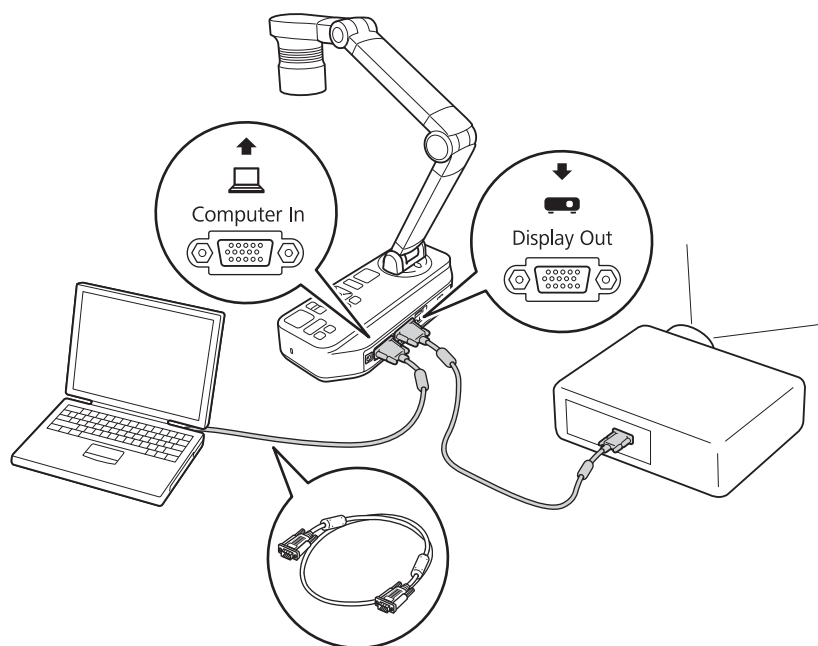


When image devices that support the HDMI CEC standard are connected to the document camera, operations for the document camera and the image device can be linked together. Set **HDMI Link** on the document camera. ☛ **Function - HDMI Link** [p.41](#)



For necessary settings on the image device, see the documentation provided with the device.


When Using a Computer


When the Computer In port on the document camera is connected to a computer using a computer cable, you can project PowerPoint slides or images from any other application from a projector.



- This connection method is only available when the document camera is connected to a computer using a computer cable. If the computer you are using does not have a VGA output port, connect the computer directly to the projector.
- Images on the computer connected to the document camera are only output from the Display Out port.

You can switch the projected image between [] or [] using the [Source] button on the document camera or the remote control.

[]: Projects images from a computer.

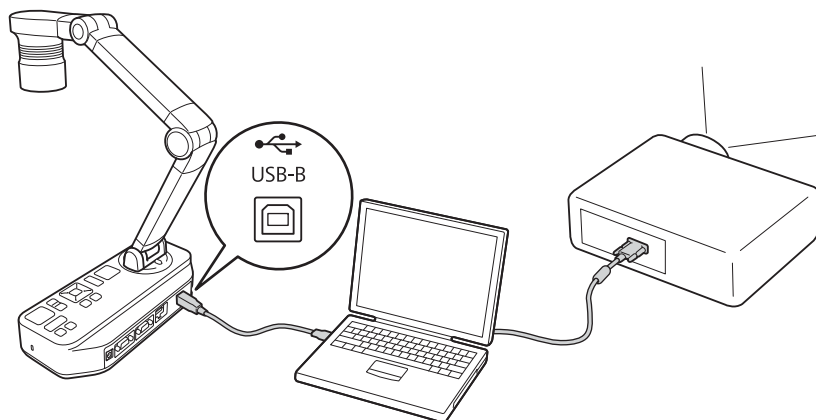
[]: Projects images (live or on an SD card) from the document camera.

When the document camera is connected to a computer using a USB cable, you can operate the document camera from the computer. Using the software supplied, you can save images and video, adjust picture quality, zoom, and so on.

☛ "Using the Computer Software" p.44

Connect the USB-B port on the document camera to a computer using a USB cable.

Next, connect the computer to the projector. The cable used to create the connection differs depending on the computer and projector you are using. See the documentation provided with the computer and projector you are using.

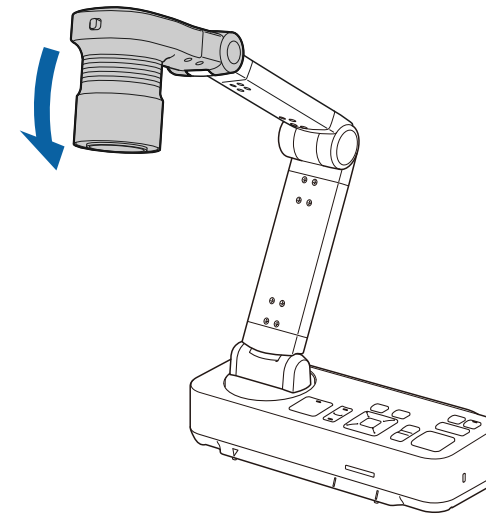
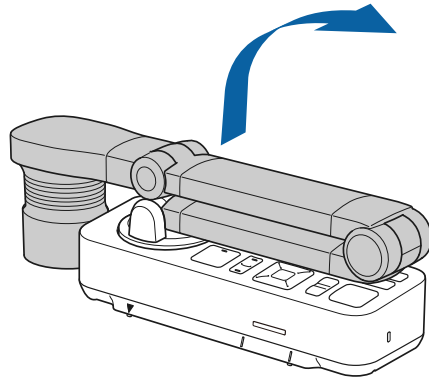


- You cannot project images by directly connecting the document camera to a projector with a USB cable.
- Connect the document camera to a USB 2.0 port of a computer. If you connect it to a USB 3.0 port, it may not function properly.
- Do not connect multiple document cameras to one computer at the same time.

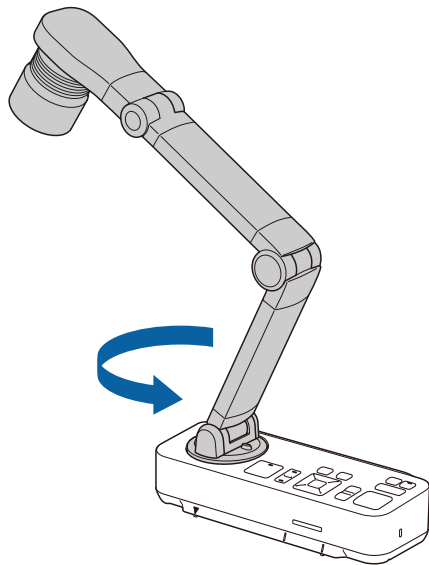


Projecting

- 1 Raise the camera arm with one hand while holding the base of the camera with your other hand.



- 2 Rotate the camera arm as shown.

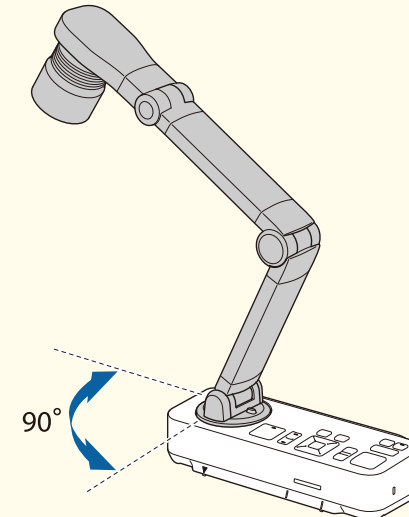


- 3 Position the camera head above the projection area.

Attention

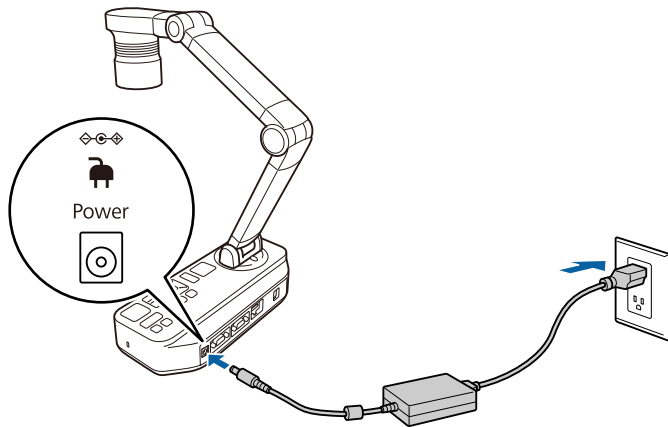
Do not try to press the arm flat or fold it backwards. Otherwise, the document camera may be damaged.

The camera arm can only rotate within the range shown below.

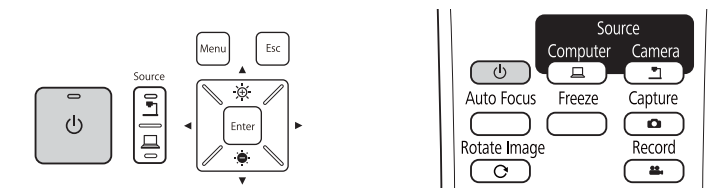


Connect the document camera to the projector with a cable before turning on the document camera. 🖱️ "Connecting" p.17

- 1** Connect the power cord as shown and plug the cord into a wall outlet.



- 2** Press the [⏻] power button on the document camera or remote control.



The power indicator flashes blue. When startup is complete, the power indicator and the camera indicator are lit blue. Startup takes approximately 15 seconds.

- 3** Turn on your projector.

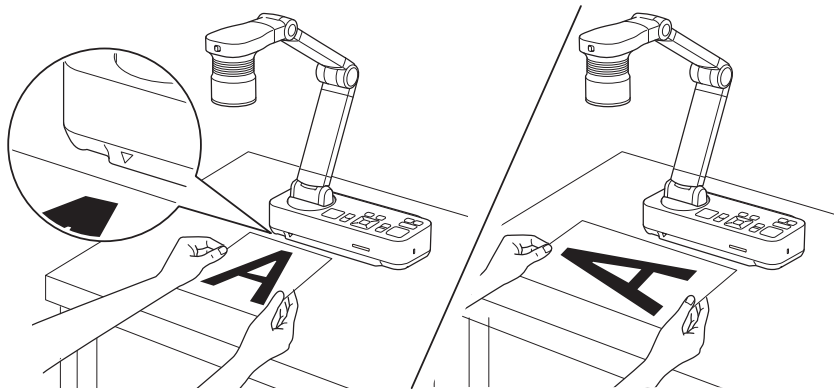
- 4** Select the appropriate source on the projector depending on the port to which you connected.

Live images from the document camera are projected from the projector.

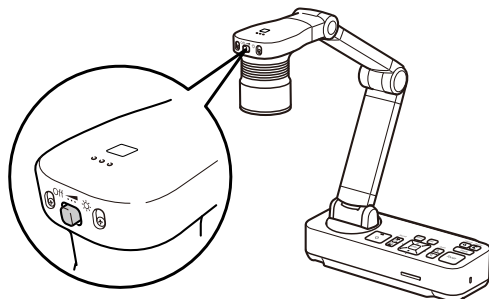
- 1 Place your document on the table under the camera head. Align the center of your document with the ▽ mark on the side of the document camera.



- When projecting A4-size or letter size paper, align the edge of the paper with the guides on the side of the document camera.
- The maximum paper size that can be projected is A3 landscape.

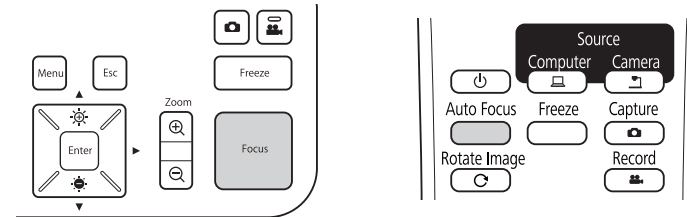


- 2 Slide the [☀] lamp switch to illuminate the document.



If necessary, you can adjust the brightness of the image using the [☀] or [☿] on the document camera or remote control.

- 3 Press the [Focus] button on the document camera or the [Auto Focus] button on the remote control.

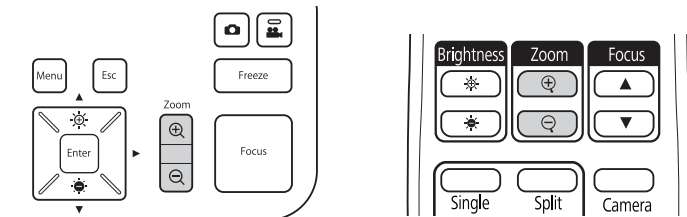


The focus is adjusted automatically.



To sharpen hard-to-focus objects, use the [◀]/[▶] buttons on the document camera, or the [Focus] buttons [▲]/[▼] on the remote control.

- 4 To zoom in on part of the image, press the [Zoom] - [⊕] button on the document camera or remote control. Press the [Zoom] - [⊖] button to zoom out.





- You can zoom up to 12x optically and 10x digitally. (When the optical zoom rate reaches the maximum value, it switches to the digital zoom.)



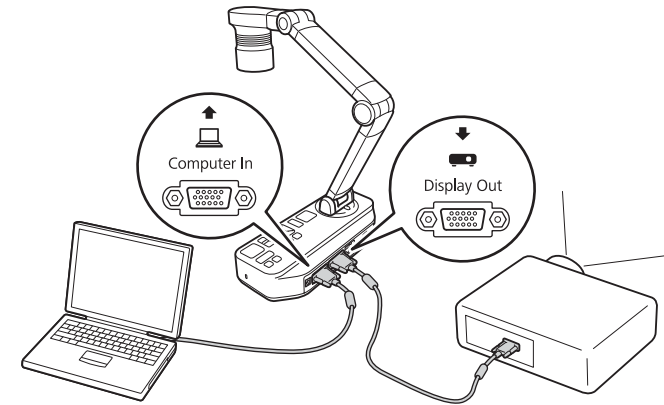
When using the optical zoom:





When using the digital zoom:



- To enable the digital zoom, press the [Menu] button and set **Image** > **Digital Zoom** to **On**.
- When using the digital zoom, you can scroll (Pan/Tilt) the enlarged image by pressing the [▲], [▼], [◀], and [▶] buttons.
- Image quality declines when using the digital zoom function.



[]: Projects images from a computer.

[]: Projects images (live or on an SD card) from the document camera.

Switching the Projected Image

When a computer is connected to the document camera, you can switch the image projected from the projector using the [Source] button on the document camera or the remote control.

Outputting Images and Sound

When connecting multiple devices to one document camera, the image and audio are output as follows.

When is selected using the Source button

- Display Out port: Images from the computer
- HDMI port: Live images from the document camera
- USB-B port: Live images from the document camera and audio from the internal microphone



Images on the computer connected to the document camera are only output from the Display Out port.

When is selected using the Source button

When projecting live images from the document camera

- Display Out port: Live images from the document camera
- HDMI port: Live images from the document camera
- USB-B port: Live images from the document camera and audio from the internal microphone



When recording live images or taking photos using the document camera, images and audio cannot be output from the USB-B port.

When projecting images from an SD card

- Display Out port: Images from the SD card
- HDMI port: Images and audio from the SD card



When a computer is connected to the USB-B port, the SD card viewer is unavailable.

Freezing an Image

Press and release the [Freeze] button on the document camera or the remote control to freeze the image.

After freezing the image, you can remove your document while leaving its image displayed on the screen. Place your next document under the camera lens and press the [Freeze] button again; your presentation continues without interruption.

Projecting Small Objects


To project a small object, lower the camera arm. You can place the camera head within approximately 10 cm (4 inches) of the object.

To zoom in on part of the image, press the [Zoom] - [⊕] button on the document camera or remote control. Press the [Zoom] - [⊖] button to zoom out.

Displaying Whiteboard Images

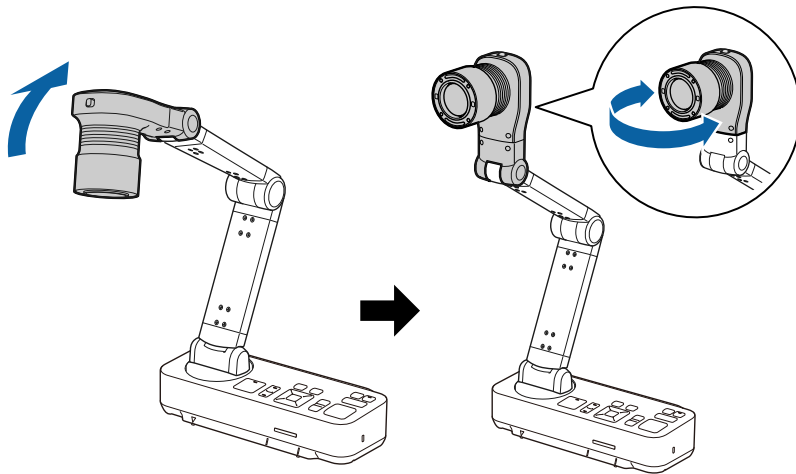
You can use the document camera to display a lecture or presentation at the front of a room, or to capture images of a whiteboard or chalkboard.



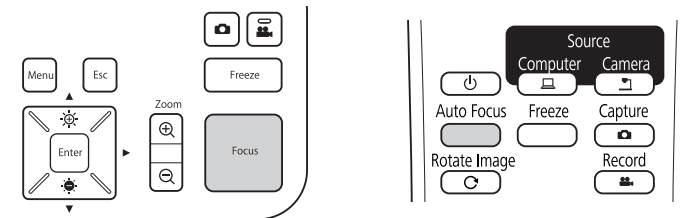
Press the [Rotate Image] button  on the remote control to turn an image upside-down. You can also rotate the image by pressing the [Menu] button and then selecting **Image > Image Rotation > 180 degrees**.

1

Rotate the camera head and set it in the direction of the object.



- 2 Press the [Focus] button on the document camera or the [Auto Focus] button on the remote control.



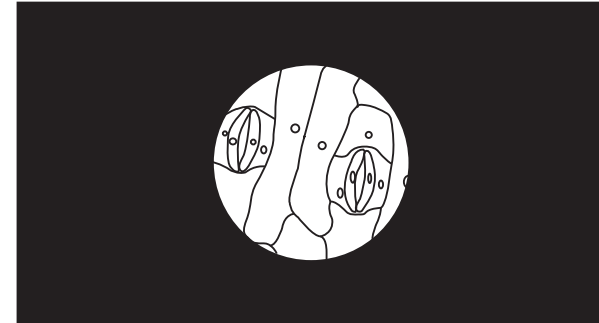
The image is automatically focused.



You can make an audio/video recording of your projection. The recorded images are saved to the SD card.

☞ "Recording Movies" [p.32](#)

Projecting Through a Microscope



Projected image

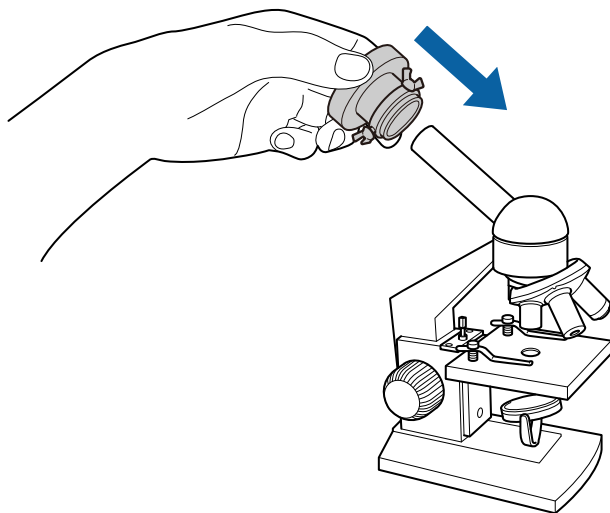
To display objects as seen through a microscope, use the included microscope adapter.



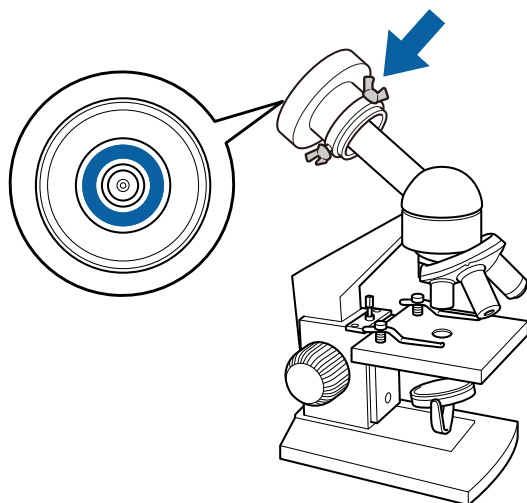
- Before installing the document camera, make the following settings:
 - Focus the microscope and adjust the zoom
 - Press the [Menu] button, and then select **Image > Microscope > On**.
- Images may not be displayed correctly depending on the optical properties of your microscope.

1

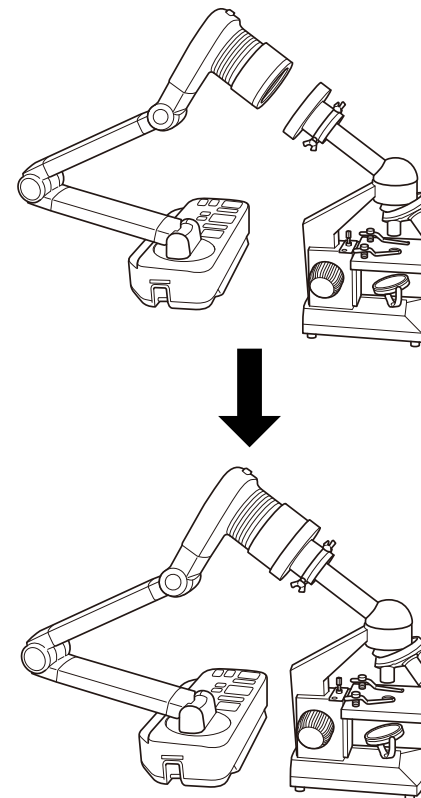
Attach the microscope adapter to the microscope's eye piece.



2 With the microscope's eye piece in the center of the microscope adapter, tighten the three screws on the microscope adapter to secure it in place.

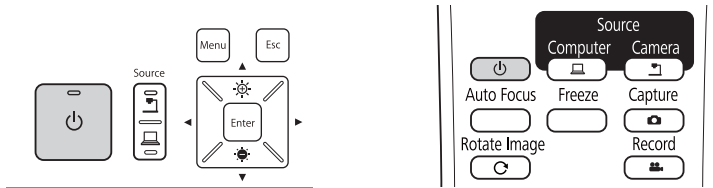


3 Adjust the height and angle of the camera head, and then attach it to the microscope adapter.

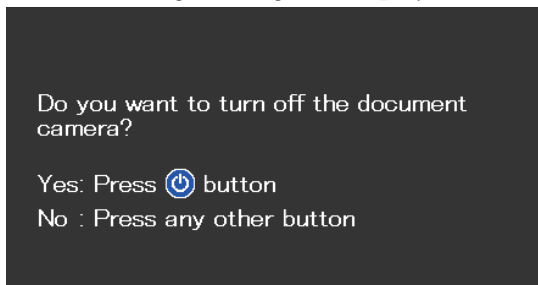


Turn off the document camera after use.

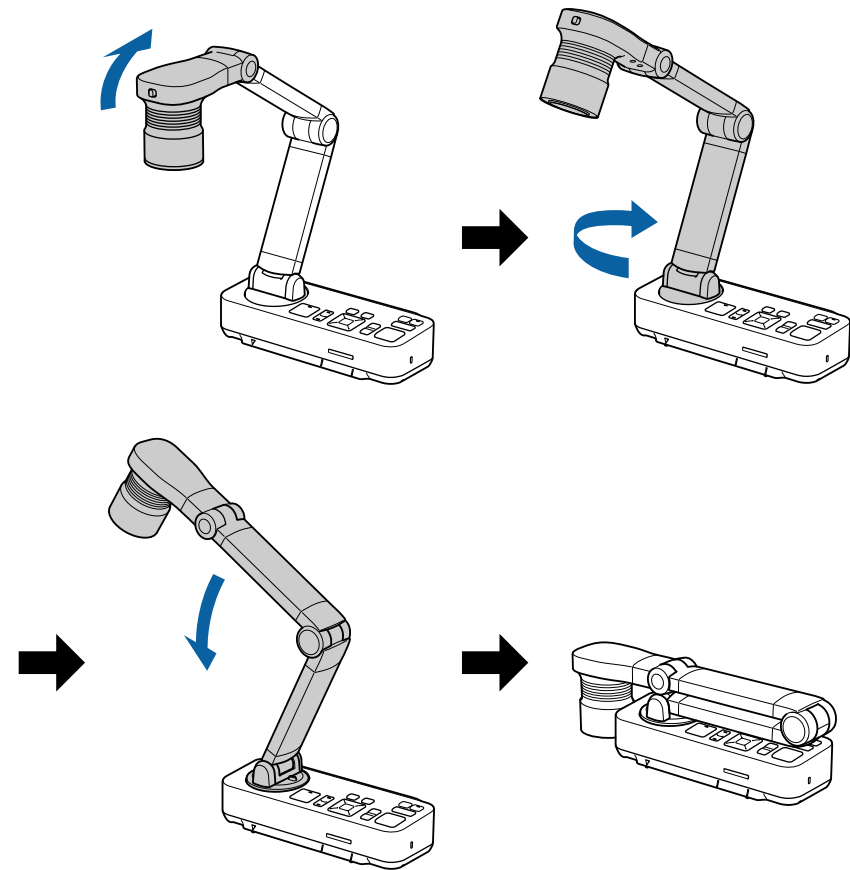
- 1 Press the [⏻] power button on the document camera or remote control.



The following message is displayed on the projected image.



- 2 Press the [⏻] power button again.
The projected image disappears, and the power indicator turns off.
- 3 Disconnect the power cord and any other connected cables, and then fold down the camera arm.



Displaying Saved Images as a Slideshow

You can save live images from the document camera to an SD card and then display the saved images and movies as a slideshow.

This section explains how to perform operations using the document camera or the remote control. You can save images using software on your computer.

☛ "Using the Computer Software" [p.44](#)



- FAT16 SD cards (up to 2 G) and FAT32 SDHC cards (up to 32 GB) are supported.
- EX-FAT SDXC cards are not supported.
- SD cards with a security function cannot be used.

Attention

In the following situations, data on the SD card may be lost or corrupted.

- If the card is subjected to static electricity or electronic noise
- If the card is not handled correctly
- If a malfunction occurs or during repairs
- If damage occurs due to a natural disaster

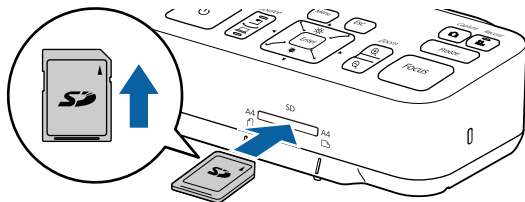
Note that Epson accepts no responsibility for lost or corrupted data, even if the loss occurs during the warranty period.

You can save images from the document camera to an SD card as still images.



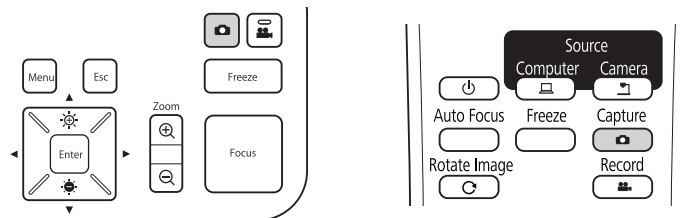
- Images are saved in JPEG format (1920 x 1080).
- You can change the background color for the image in **Background Color**. When **White** is set and the image is saved, if you print the image on white paper, the area around the image may not stand out. **Function - Background Color p.41**

1 Insert an SD card into the SD card slot on the document camera.

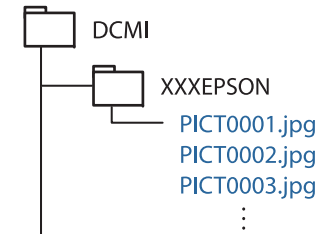


2 Project the image you want to save.

3 Press the [Capture] button to capture the image.



The number of photos available is displayed at the top right of the screen next to , and captured images are saved to the following folder on the SD card:





4 Repeat steps 2 and 3 for any additional images you want to save.



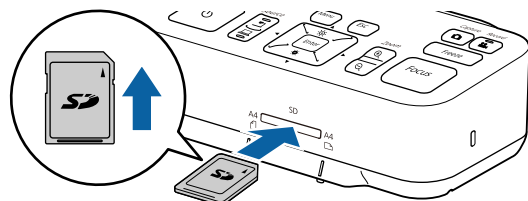
If there is no space on the SD card, the message "No free space on the SD Card." is displayed, and the image is not saved.

You can save images and audio from the document camera to an SD card as movies.



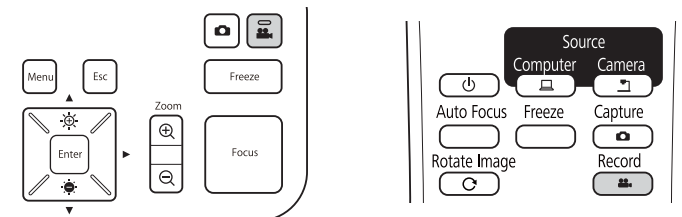
- Movies are saved in AVI format (images: Motion JPEG 720p/30 fps, audio: Linear PCM).
- You can record individual files at the following sizes:
Capacity: up to 2 GB
Recording time: up to approximately 29 minutes
If the maximum capacity or recording time are exceeded while recording, the movie up to that point is saved and the recording ends.
- You can check the amount of available free space on the SD card in **SD Card Info.**  **SD Card - SD Card Info.** p.42
- Set **Sleep Mode** to **Off** to prevent the power turning off while recording.  **Function - Sleep Mode** p.41

1 Insert an SD card into the SD card slot on the document camera.



2 Project the image you want to save.


3 Press the [Record] button  to start recording.



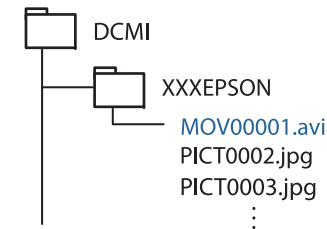
The recording indicator is lit blue while recording.



- While recording, the elapsed time is displayed at the top right of the screen. This is not displayed on the saved image.
- If there is no space on the SD card, the message "No free space on the SD Card." is displayed, and the movie is not saved.
- Do not remove the SD card while recording.
- The following operations are available while recording.
Freeze, Zoom (Pan/Tilt), Auto Focus, Brightness adjustment, Focus adjustment
Note that operation sounds are also recorded.
- While recording, a blue screen is displayed on the computer connected to the document camera using a USB cable.

4 To stop recording, press the  button again.

While saving recordings, the recording indicator flashes blue, and when saving is complete the indicator turns off. Movies are saved to the following folder on the SD card:



You can display images saved on an SD card as a slideshow.

This function is unavailable in the following situations:

- When the document camera is connected to a computer using a USB cable
 - When recording a movie
 - When a 480p signal is being output from the HDMI port
- Files that can be played as a slideshow

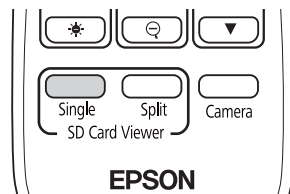
| Type | File Type | Notes |
|--------------|--|---|
| Still images | JPEG (DCF-compliant) | Files with a resolution over 7680 x 5760 pixels cannot be played. |
| Movies | AVI (images: Motion JPEG, audio: Linear PCM) | Files that are larger than 2 GB cannot be played. |



You can also display files that were not captured by the document camera as a slideshow. To display files, they must be saved to the specified folder. See the following for more details.

☛ "SD Card Problems" [p.50](#)

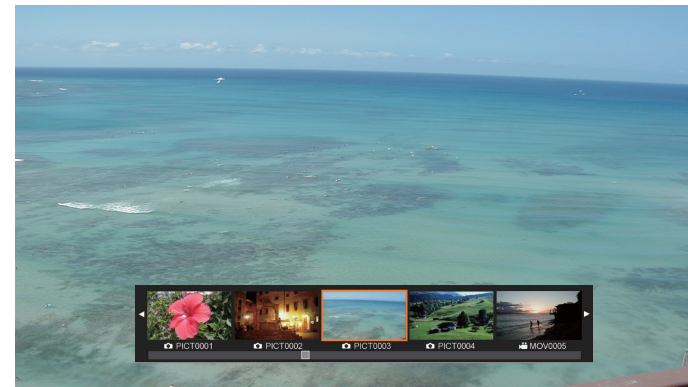
- 1 Press the [Single] button on the remote control.



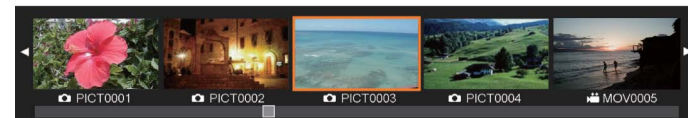
The final file and thumbnail on the SD card are displayed.



You can start a slideshow using the [Enter] button on the document camera or the remote control. Press the [Enter] button while projecting a live image, and then select **Single Screen** from the **SD Card** menu.



Thumbnails



If a file cannot be displayed because it is damaged or too big, a black screen is displayed.

- 2

Press the [◀] [▶] buttons to select the thumbnail for the file you want to display.

Press the [▲] [▼] buttons to change the thumbnails page.

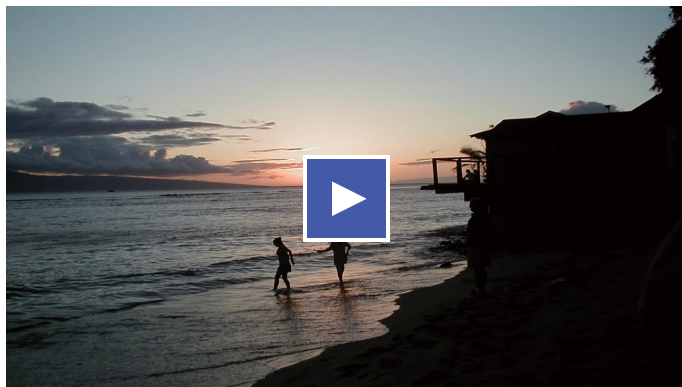
3 Press the [Enter] button to hide the thumbnails.

[◀] button: Displays the previous file.

[▶] button: Displays the next file.

[Esc] button: Displays the thumbnails again.

4 Hide the thumbnails, and then press the [Enter] button to play the movie.



Press the [Enter] button to pause/play the movie.

5 Press the [Menu] button to access the following functions.

| | |
|--------------------------|--|
| Rotate to Right*1 | Rotates the image 90 degrees to the right. |
| Rotate to Left*1 | Rotates the image 90 degrees to the left. |
| Delete | Deletes the selected file. |
| Split Screen*1 | The screen switches to a split screen display, and you can display a live image and an image on the SD card on the left and right. |
| Return to Camera | The slideshow is closed and a live image is displayed. |

| | |
|--------------------|----------------------|
| Thumbnail*2 | Displays thumbnails. |
|--------------------|----------------------|

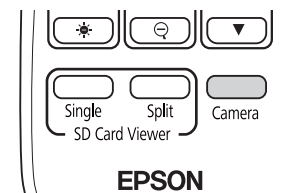
*1 This is not available while a movie is being displayed.

*2 This is not displayed while thumbnails are displayed.

Attention

If the images on the SD card are rotated when displayed by the document camera, the original image can be saved as the rotated image. Backup data on the SD card to other media as often as necessary.

6 End the slideshow by pressing the [Camera] button on the remote control.



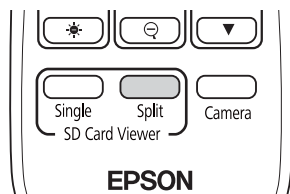
You can also close the slideshow by pressing the [Esc] button when thumbnails are displayed.

Dividing the Screen and Displaying Two Images (Split Screen)

You can display live images and images on an SD card side-by-side on the screen. You can also display two images on an SD card at the same time.

Displaying live images and images on an SD card

- 1 Press the [Split] button on the remote control.



A live image and an image on the SD card are displayed side-by-side on the screen.

You can start the split screen projection using the [Enter] button on the document camera or the remote control. Press the [Enter] button while projecting a live image, and then select **Split Screen** from the **SD Card** menu.



- 2 Press the [◀] [▶] buttons to select the thumbnail for the image you want to display.

Press the [▲] [▼] buttons to change the thumbnails page.

When projecting a live image from the document camera, you cannot display a movie from the SD card.

- 3 Press the [Enter] button to hide the thumbnails.

[◀] button: Displays the previous file.

[▶] button: Displays the next file.

[Esc] button: Displays the thumbnails again.

- 4 Press the [Menu] button to access the following functions.

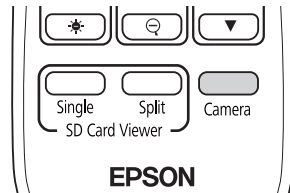
Some functions are not available depending on the image being projected.

| | |
|--|--|
| Rotate to Right | Rotates the image 90 degrees to the right. |
| Rotate to Left | Rotates the image 90 degrees to the left. |
| Single Screen | Changes to a single image display. |
| Flip | Switches the images on the left and right. |
| Camera/SD Mode SD/SD Mode | Changes the combination of displayed images. <ul style="list-style-type: none"> • Live Image and Image on SD card • Two Files on SD Card |
| Return to Camera | The slideshow is closed and a live image is displayed. |
| Thumbnail* | Displays thumbnails. |

* This is not displayed while thumbnails are displayed.

You can use the following adjustment functions for live images. Brightness adjustment, Focus adjustment (automatic and manual), Freeze, Zoom (Pan/Tilt)

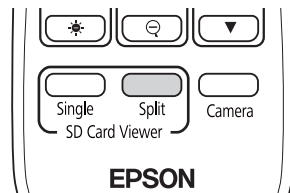
- 5 End the slideshow by pressing the [Camera] button on the remote control.



You can also close the slideshow by pressing the [Esc] button when thumbnails are displayed.

Displaying two images on an SD card

- 1 Press the [Split] button on the remote control.



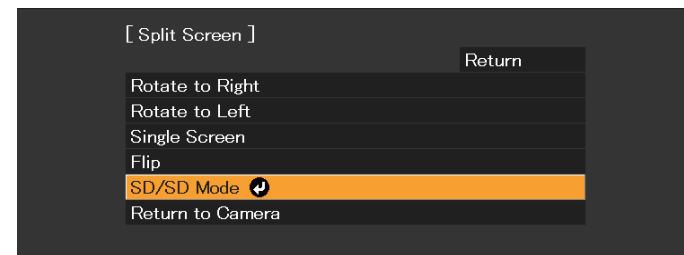
A live image and an image on the SD card are displayed side-by-side on the screen.



You can start the split screen projection using the [Enter] button on the document camera or the remote control. Press the [Enter] button while projecting a live image, and then select **Split Screen** from the **SD Card** menu.

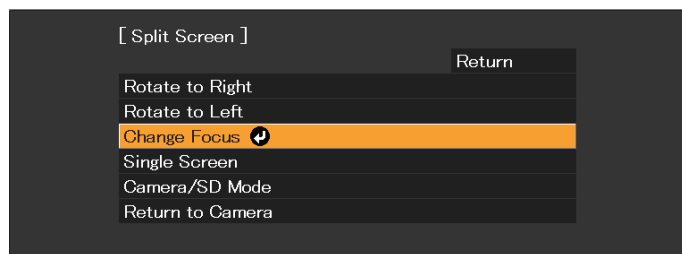


- 2 Press the [Menu] button on the document camera or the remote control, and then select **SD/SD Mode**.




Two files on the SD card are displayed side-by-side on the screen. You can change the file surrounded by the orange frame.

- 3 Press the [◀] [▶] buttons to select the thumbnail for the file you want to display.
Press the [▲] [▼] buttons to change the thumbnails page.
- 4 To move the orange frame between the right and left of the screen to re-select the file, press the [Menu] button while thumbnails are displayed, and then select **Change Focus**.



| Left Source | Right Source |
|---------------|---------------|
| SD Card Movie | SD Card Image |

 Movies cannot be displayed on the right-hand side of the screen.

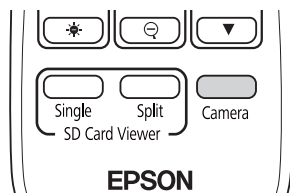
5 Press the [Enter] button to hide the thumbnails.


[◀] button: Displays the previous file.

[▶] button: Displays the next file.

[Esc] button: Displays the thumbnails again.

6 End the slideshow by pressing the [Camera] button on the remote control.



 You can also close the slideshow by pressing the [Esc] button when thumbnails are displayed.

Available combinations for the Split Screen function

| Left Source | Right Source |
|---------------|---------------|
| Live Image | SD Card Image |
| SD Card Image | Live Image |
| SD Card Image | SD Card Image |

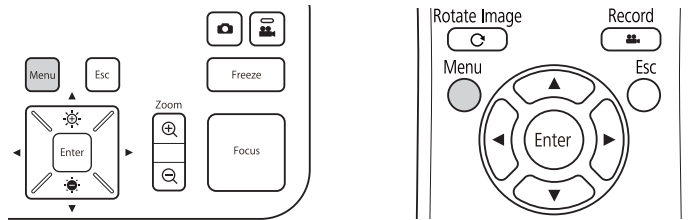


Image Adjustments and Effects

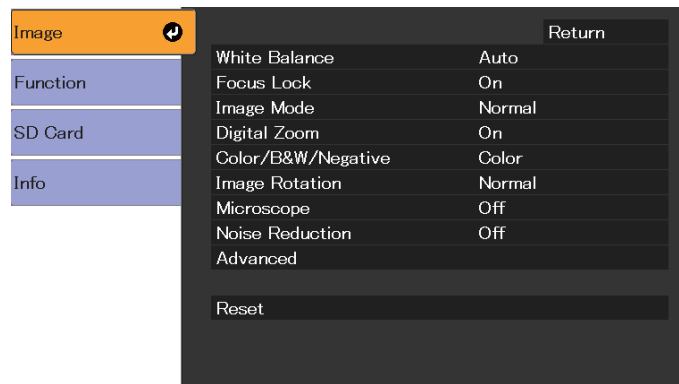
The document camera provides a full range of image adjustments and effects, including freeze image, black-and-white, and the ability to change the display for color images.

Press the [Menu] button on the document camera or remote control to view the on-screen menu. See the following for details on each item in the on-screen menu.

☛ "On-Screen Menu Table" [p.40](#)



The following menu is displayed:



Use the [▲] [▼] [◀] [▶] buttons to navigate the menu and adjust the settings. Press [Enter] to select a setting. When you are done adjusting the settings, press the [Menu] or [Esc] button to close the menu and save your settings.



The menu cannot be displayed when connecting to a computer using a USB cable.

Image Menu

| Setup Item | Explanation/Select |
|-------------------------------|--|
| White Balance | Select the setting according to the lighting in the room where you are using the document camera. Auto* : Automatically adjusts the image color according to the display environment. Cloudy : Suitable for use in cloudy weather. Daylight : Suitable for use in fair weather. Fluorescent : Suitable for use in a room with fluorescent lighting. Incandescent : Suitable for use in a room with incandescent lamps. |
| Focus Lock | Enables or disables the auto-focus while zooming. On : Disables auto-focus while using the optical zoom. Off : Enables auto-focus while using the optical zoom. |
| Image Mode | You can select from the following settings to adjust for the image type you are displaying: Normal* : Default setting. Text : Suitable for projecting black-and-white text. Display : Suitable for projecting images from a tablet display, and so on. |
| Digital Zoom | Adjusts the digital zoom settings. On : Enables digital zoom operations after performing the optical zoom. Off* : Disables digital zoom operations. |
| Color/B&W/Negative | Select the display method for color images. Color* : Displays the image in color. Black&White : Displays the image in black-and-white. Negative : Displays a photographic negative in true color. |
| Image Rotation | Lets you rotate the image. Normal* : Displays the image as it actually is. 180 degrees : Displays the image upside-down. |
| Microscope | Optimizes the image settings for use with a microscope. On : Sets the optimal image settings for use with a microscope. Off* : Returns to the normal settings. |
| Noise Reduction | Settings related to Noise Reduction for the live image. Off : Deactivates Noise Reduction. NR1, NR2, NR3 : Enables Noise Reduction. Use this setting if noise occurs. |

| Setup Item | Explanation/Select |
|-----------------|---|
| Advanced | Makes advanced settings of live image. Exposure: Adjusts the light volume of images. Contrast: Adjusts the difference between bright and dark areas of images. Color Adjustment: Adjusts the reddish and bluish colors of the whole image. Edge Enhancement: Adjusts the emphasis on the contours of the image. Gamma: Adjusts the coloring that occurs while displaying the image. |
| Reset | Resets the Image menu settings to the default values. |

* Default setting at time of purchase

Function Menu

| Setup Item | Explanation/Select |
|--------------------------|--|
| Output Resolution | Sets the output resolution when connecting a computer cable to the Display Out port. Auto* : Sets automatically according to the resolution of the image device. XGA 1024x768 WXGA 1280x800 WXGA 1360x768 SXGA 1280x1024 Full HD 1920x1080 |
| HDMI Output | Sets the output resolution when connecting an HDMI cable to the HDMI port. Auto* : Sets automatically according to the resolution of the image device. SDTV (480p) HDTV (720p) HDTV (1080p) |
| Mic. Volume | Sets the volume for the internal microphone. |

| Setup Item | Explanation/Select |
|--------------------------|--|
| HDMI Link | <p>When image devices that support the HDMI CEC standard are connected to the document camera, operations for the document camera and the image device can be linked together.</p> <p>HDMI Link: Set to On* to enable the HDMI Link function. The changes are enabled when you turn off the document camera.</p> <p>Power On/Off Link: When this is set to On, the connected device turns on when the document camera is turned on. Also, when the connected device is turned off, the document camera turns off. The default setting is Off.</p> |
| Sleep Mode | <p>Operation settings when the document camera is inactive.</p> <p>On: The power automatically turns off if the document camera is inactive for a certain amount of time.</p> <p>Off*: The power remains on even if the document camera is inactive for a certain amount of time.</p> |
| Sleep Mode Timer | <p>Sets the time from when the document camera is last operated until the power automatically turns off in Sleep Mode.</p> <p>1 to 6 hour(s)</p> |
| Background Color | <p>Select the display background for the projected image.</p> <p>Black*</p> <p>White</p> |
| Flicker Reduction | <p>Eliminates flicker when giving presentations in regions with different electrical systems.</p> <p>50Hz*</p> <p>60Hz</p> |
| Language | Changes the on-screen menu language. |
| Reset | Resets the Function menu settings to the default values. |

* Default setting at time of purchase


SD Card Menu

You can only make settings when an SD card has been inserted in the document camera.

| Setup Item | Explanation/Select |
|----------------------|---------------------------------|
| Single Screen | The slideshow starts. |
| Split Screen | Split screen projection starts. |

| Setup Item | Explanation/Select |
|---------------|---|
| SD Card Info. | Displays information about the SD card. Memory Status: Displays the usage ratio of the SD card. Recordable Images: Displays the number of images that can be stored on the SD card. Total Memory: Displays the total capacity of the SD card. |

Info Menu

| Setup Item | Explanation |
|---------------|--|
| Output(HDMI) | Displays the set content for HDMI Output .  "Function Menu" p.41 |
| Output(RGB) | Displays the output resolution for the image signal. |
| Version | Displays the firmware version for the document camera. |
| Serial Number | Displays the serial number for the document camera. |



Using the Computer Software

The included software lets you operate the document camera from a computer.

The software also lets you capture live images and record them as movies.

When using the Easy Interactive Tools camera screen, you can display images from the document camera on a computer connected via a USB cable. You can adjust the image size, brightness, and so on, and save it as an image file or a movie file.

For more details on Easy Interactive Tools, see the *Easy Interactive Tools Operation Guide*.



When projecting an image using a projector that supports the interactive pen or touch operations, you can operate the Easy Interactive Tools on the projected image.

Operating Requirements

Windows

| | | |
|----|----------------|---|
| OS | Windows Vista* | Ultimate 32 bit Enterprise 32 bit Business 32 bit Home Premium 32 bit Home Basic 32 bit |
| | Windows 7 | Ultimate 32/64 bit Enterprise 32/64 bit Professional 32/64 bit Home Premium 32/64 bit Home Basic 32 bit |
| | Windows 8 | Windows 8 32/64 bit Windows 8 Pro 32/64 bit Windows 8 Enterprise 32/64 bit |
| | Windows 8.1 | Windows 8.1 32/64 bit Windows 8.1 Pro 32/64 bit Windows 8.1 Enterprise 32/64 bit |

| | | |
|-------------------------|--|--|
| | Windows 10 | Home 32/64 bit Pro 32/64 bit Enterprise 32/64 bit Education 32/64 bit |
| CPU | Intel Core2 Duo 1.2 GHz or faster Recommended: Intel Core i3 or faster | |
| Amount of Memory | 1 GB or more Recommended: 2 GB or more | |
| Hard Disk Space | 100 MB or more | |
| Display | Resolutions no lower than XGA (1024 x 768) and no higher than WUXGA (1920 x 1200) Display color of 16-bit color or more | |

* Service Pack 2 or later

Mac

| | | |
|-------------------------|--|--|
| OS* | OS X 10.7.x OS X 10.8.x OS X 10.9.x OS X 10.10.x OS X 10.11.x macOS 10.12.x | |
| CPU | Intel Core2 Duo 1.2 GHz or faster Recommended: Intel Core i5 or faster | |
| Amount of Memory | 1 GB or more Recommended: 2 GB or more | |
| Hard Disk Space | 100 MB or more | |

Display

Resolutions no lower than XGA (1024 x 768) and no higher than WUXGA (1920 x 1200)
Display color of 16-bit color or more

* Requires QuickTime 7.7 or later.

Installing



- The software should be installed by a user with administrator access.
- Close all running applications before starting the installation.

Windows

- 1 Turn on your computer.
- 2 Insert the EPSON Document Camera Software CD-ROM in your computer.
The installer screen is automatically displayed.
- 3 Select **Drawing on the Camera screen** on the installer screen to start installation.

Mac

- 1 Turn on your computer.
- 2 Insert the EPSON Document Camera Software CD-ROM in your computer.
The installer screen is automatically displayed.
- 3 Double-click the **Install Navi** icon in the EPSON window.
- 4 Select **Drawing on the Camera screen** on the installer screen to start installation.

Uninstalling

Windows Vista/Windows 7

- 1 Click **Start**, and then **Control Panel**.
- 2 Click **Uninstall a program**.
- 3 Select **Easy Interactive Tools Ver.X.XX**, and then click **Uninstall**.

Windows 8/Windows 8.1

- 1 Select **Search** on the Charms, and then search for **Easy Interactive Tools Ver.X.XX**.
- 2 Right-click (press and hold) **Easy Interactive Tools Ver.X.XX**, and then select **Uninstall** from the app bar.
- 3 Select **Easy Interactive Tools Ver.X.XX**, and then select **Uninstall**.

Windows 10

- 1 Right click **Start**.
- 2 Click **Control Panel**.
- 3 Click **Uninstall a program**.
- 4 Select **Easy Interactive Tools Ver.X.XX**, and then click **Uninstall**.

Mac

- 1 Double-click **Application - Easy Interactive Tools Ver.X.XX**.

- 2** Run **Easy Interactive Tools Uninstaller** from the **Tools** folder.
- 3** Follow the on-screen instructions to uninstall.

You need to install TWAIN Driver for Epson Document Camera (Ver. 2.00 or later) to use software that supports TWAIN. (Supports Windows only)

Installing

- 1 Turn on your computer.
- 2 Insert the EPSON Document Camera Software CD-ROM in your computer.
- 3 Double-click **Computer - TWAIN Driver for Epson Document Camera - setup.exe**.
The installer screen is automatically displayed.
- 4 Follow the instructions on the screen to install all the software.

Uninstalling

Windows Vista/Windows 7

- 1 Click **Start - Control Panel**.
- 2 Click **Uninstall a program**.
- 3 Select **TWAIN Driver for Epson Document Camera Ver.X.XX**, and then click **Uninstall**.

Windows 8/Windows 8.1

- 1 Select **Search** from the Charm bar, and then search for **TWAIN Driver for Epson Document Camera Ver.X.XX**.

- 2 Right-click (and hold) on **TWAIN Driver for Epson Document Camera Ver.X.XX**, and then select **Uninstall** from the application bar.

- 3 Select **TWAIN Driver for Epson Document Camera Ver.X.XX**, and then select **Uninstall**.

Windows 10

- 1 Right click **Start**.
- 2 Click **Control Panel**.
- 3 Click **Uninstall a program**.
- 4 Select **TWAIN Driver for Epson Document Camera Ver.X.XX**, and then click **Uninstall**.



Solving Problems

Operation Problems

No image appears on the screen

- After you press the [⏻] power button, wait a few moments for the image to appear. It takes approximately 15 seconds for the document camera to output an image.
- Make sure all necessary cables are securely connected and the power is on for the projector and the document camera.
 - ☛ "Connecting the Document Camera Directly to a Projector" p.18
 - ☛ "Connecting to a Projector Using a Computer" p.20
- If you have connected a laptop, see the following.
 - ☛ "Problems Connecting a Laptop" p.51
- To project live images from the document camera, press the [Source] - [📺] button on the document camera or the remote control.
- Select the correct source on your projector. The source refers to the port on the projector to which you have connected the cable.
- Press the projector's power button to wake it from standby or sleep mode. Make sure the image has not been "muted" or turned off. Also see if your document camera is in sleep mode.
- If the power indicator on the document camera flashes, reconnect the power cord. If no images are output even after pressing the [⏻] power button again, stop using the document camera, contact your local dealer or the nearest service center provided in this guide. ☛ "Epson Projector Contact List" p.52

Image Quality Problems

The image is fuzzy or out of focus

- If the surroundings are dark and the contrast in the projected image is low, the document camera's auto focus function may not work correctly. Press the [◀] [▶] buttons on the document camera or the [Focus] buttons [▲] [▼] on the remote control, and then adjust the contrast manually.

- Make sure the camera head is at least 10 cm (4 inches) away from the object you are viewing.
- If you are using a projector to display the image, check its focus.

The image brightness or colors are incorrect

- To illuminate your document, slide the [☀️] lamp switch on the side of the camera head.
- Press the [☀️] or [☁️] button to increase or decrease image brightness.
- Set the **White Balance** setting to **Auto** to adjust the color automatically. If the colors are still not correct, select the best setting for the type of lighting in your environment (**Cloudy**, **Daylight**, **Fluorescent**, or **Incandescent**).
 - ☛ "Image Menu" p.40
- If the document camera was used with a microscope, make sure you set the **Microscope** setting to **Off** when you return to displaying documents.
 - ☛ "Image Menu" p.40

Other image problems

- If the image is stretched or has black bars, change the **Output Resolution** or the **HDMI Output** from the **Function** menu.
 - ☛ "Function Menu" p.41



To return all image settings to their initial values, select the **Reset** menu.

☛ "Image Menu" p.40

SD Card Problems

Some images do not appear

Check the file format when copying images to the SD card from a computer.

- Images must be DCF-compliant, JPEG files to be displayed, such as from a digital camera. Do not edit the images, as this may change their format and prevent them from being displayed.
- Images must be named using the format ABCD1234.JPG, where ABCD is any combination of upper- or lowercase letters and 1234 is any combination of numbers. (For example: Pict0001, Pict0002)
- Images must be placed in a folder named DCIM\123ABCDE, where 123 is any combination of numbers and ABCDE is any combination of upper- or lowercase letters. If this folder structure does not exist, first create a folder named DCIM, then create a folder within it with the desired name. (For example: 100EPSON)


Image files do not have the correct time stamp

The document camera does not have a built-in clock. Therefore, when you view captured image files from your computer, the actual time they were created is not displayed.

Problems Connecting a Laptop

If images are not displayed from a PC laptop, you need to set up the laptop to display on an external monitor. If images are not displayed from a Mac laptop, you need to set up the laptop for mirrored display. (See your laptop manual for details.)

• Windows

Hold down the laptop's **Fn** key and press the key labeled with  or **CRT/LCD**. (See your laptop manual for details.) Wait a few seconds for an image to appear. To display on both the laptop's monitor and the projector, try pressing the same keys again. If the same image is not displayed by the laptop and projector, check the Windows **Display** utility to make sure the external monitor port is enabled and extended desktop mode is disabled. (See your computer or Windows manual for instructions.)

• Mac

From the **Apple** menu, open the **System Preferences** utility and select **Displays**. Click the **Arrangement** tab and select the **Mirror Displays** checkbox.

See the following contact list if any problems occur when using the document camera outside Japan.

See the Web Home Page provided with each contact for the latest contact information. If the country you are in is not provided, see the main home page, www.epson.com.

EUROPE

ALBANIA

ITD Sh.p.k.

<http://www.itd-al.com>

AUSTRIA

Epson Deutschland GmbH

<http://www.epson.at>

BELGIUM

Epson Europe B.V.
Branch office Belgium

<http://www.epson.be>

BOSNIA AND HERZEGOVINA

NET d.o.o. Computer Engineering

<http://www.net.com.ba>

BULGARIA

Epson Service Center, Bulgaria

<http://www.kolbis.com>

CROATIA

MR servis d.o.o.

<http://www.mrservis.hr>

CYPRUS

Mechatronic Ltd.

<http://www.mechatronic.com.cy>

CZECH REPUBLIC

Epson Europe B.V.

Branch Office Czech Republic

<http://www.epson.cz>

DENMARK

Epson Denmark

<http://www.epson.dk>

ESTONIA

Epson Service Center, Estonia

<http://www.epson.ee>

FINLAND

Epson Finland

<http://www.epson.fi>

FRANCE and DOM-TOM TERRITORIES

Epson France S.A.

<http://www.epson.fr>

GERMANY

Epson Deutschland GmbH

<http://www.epson.de>

GREECE

Oktabit S.A.

<http://www.oktabit.gr>

HUNGARY

**Epson Europe B.V.
Branch Office Hungary**

<http://www.epson.hu>

IRELAND

Epson (UK) Ltd.

<http://www.epson.ie>

ISRAEL

Epson Israel

<http://www.epson.co.il>

ITALY

Epson Italia s.p.a.

<http://www.epson.it>

KAZAKHSTAN

Epson Kazakhstan Rep. Office

<http://www.epson.kz>

LATVIA

Epson Service Center, Latvia

<http://www.epson.lv>

LITHUANIA

Epson Service Center Lithuania

<http://www.epson.lt>

LUXEMBURG

Epson Europe B.V. Branch office Belgium

<http://www.epson.be>

MACEDONIA

Digit Computer Engineering

<http://www.digit.com.mk>

NETHERLANDS

Epson Europe B.V. Benelux sales office

<http://www.epson.nl>

NORWAY

Epson Norway

<http://www.epson.no>

POLAND

Epson EUROPE B.V. Branch Office Poland

<http://www.epson.pl>

PORTUGAL

Epson Ibérica S.A.U. Branch Office Portugal

<http://www.epson.pt>

ROMANIA

Epson Europe B.V. Branch Office Romania

<http://www.epson.ro>

RUSSIA

Epson CIS

<http://www.epson.ru>

UKRAINE

Epson Kiev Rep Office

<http://www.epson.ua>

SERBIA

AVG d.o.o. Beograd

<http://www.a-v-g.rs>

SLOVAKIA

Epson EUROPE B.V. Branch Office Czech Republic

<http://www.epson.sk>

SLOVENIA

Birotehna d.o.o

<http://www.birotehna.si>

SPAIN

Epson Ibérica, S.A.U.

<http://www.epson.es>

SWEDEN

Epson Sweden

<http://www.epson.se>

SWITZERLAND

Epson Deutschland GmbH Branch office Switzerland

<http://www.epson.ch>

TURKEY

Tecpro Bilgi Teknolojileri Tic. ve San. Ltd. Sti.

<http://www.tecpro.com.tr>

UK

Epson (UK) Ltd.

<http://www.epson.co.uk>

Indication of the manufacturer and the importer in accordance with requirements of EU directive

Manufacturer: SEIKO EPSON CORPORATION

Address: 3-5, Owa 3-chome, Suwa-shi, Nagano-ken 392-8502 Japan

Telephone: 81-266-52-3131

<http://www.epson.com/>

Importer: EPSON EUROPE B.V.

Address: Atlas Arena, Asia Building, Hoogoorddreef5,1101 BA Amsterdam Zuidoost
The Netherlands

Telephone: 31-20-314-5000

<http://www.epson.com/europe.html>

AFRICA

<http://www.epson.co.za> or <http://www.epson.fr>

SOUTH AFRICA

Epson South Africa

<http://www.epson.co.za>

MIDDLE EAST

Epson (Middle East)

<http://www.epson.ae>

NORTH, CENTRAL AMERICA & CARIBBEAN ISLANDS

CANADA

Epson Canada, Ltd.

<http://www.epson.ca>

COSTA RICA

Epson Costa Rica, S.A.

<http://www.epson.co.cr>

MEXICO

Epson Mexico, S.A. de C.V.

<http://www.epson.com.mx>

ECUADOR

Epson Ecuador

<http://www.epson.com.ec>

U.S.A.

Epson America, Inc.

<http://www.epson.com>

SOUTH AMERICA

ARGENTINA

Epson Argentina S.R.L.

<http://www.epson.com.ar>

BRAZIL

Epson do Brasil

<http://www.epson.com.br>

CHILE

Epson Chile S.A.

<http://www.epson.cl>

COLOMBIA

Epson Colombia Ltd.

<http://www.epson.com.co>

PERU

Epson Peru S.A.

<http://www.epson.com.pe>

VENEZUELA

Epson Venezuela S.A.

<http://www.epson.com.ve>

ASIA AND OCEANIA

AUSTRALIA

Epson Australia Pty. Ltd.

<http://www.epson.com.au>

CHINA

Epson (CHINA) CO., Ltd.

<http://www.epson.com.cn>

HONG KONG

Epson Hong Kong Ltd.

<http://www.epson.com.hk>

INDIA

Epson India Pvt., Ltd.

<http://www.epson.co.in>

INDONESIA

PT. Epson Indonesia

<http://www.epson.co.id>

JAPAN

**SEIKO EPSON CORPORATION
TOYOSHINA OFFICE**

<http://www.epson.jp>

KOREA

Epson Korea Co., Ltd.

<http://www.epson.co.kr>

MALAYSIA

Epson Malaysia Sdn. Bhd.

<http://www.epson.com.my>

NEW ZEALAND

Epson New Zealand

<http://www.epson.co.nz>

PHILIPPINES

Epson Philippines Co.

<http://www.epson.com.ph>

SINGAPORE

Epson Singapore Pte. Ltd.

<http://www.epson.com.sg>

TAIWAN

**Epson Taiwan
Technology & Trading Ltd.**

<http://www.epson.com.tw>

THAILAND

Epson (Thailand) Co., Ltd.

<http://www.epson.co.th>



Notices

General Specifications

| | | |
|------------------------------|--|------------------------------|
| Product name | ELPDC21 | |
| Dimensions | Open (W × D × H): 270 × 328 × 502 mm (10.6 × 12.9 × 19.8 inches) Folded (W × D × H): 375 × 122 × 120 mm (14.8 × 4.8 × 4.7 inches) | |
| Type of sensor | 1/2.7 inch CMOS sensor | |
| Lens | F=3.4-5 | |
| Effective pixels | 2 megapixel (1920 × 1080) | |
| Imaging area | 1080p: 29.7 × 52.6 cm (11.7 × 20.7 inches) | |
| Focus adjustment | Automatic/manual | |
| Zoom adjustment | 12x optical zoom (at infinity) 10x digital zoom | |
| Frame rate | Up to 30 fps | |
| Internal microphone | 1 (monaural input) | |
| Power supply | AC adapter | 100to 240 VAC ±10%, 50/60 Hz |
| | Main unit | 12 VDC |
| Power consumption | Operating: 13 W Standby: 0.2 W | |
| Operating temperature | +5 to +35C, without condensation | |
| Storage temperature | -10 to +60C, without condensation | |
| Operating humidity | 20 to 80% RH, without condensation | |
| Storage humidity | 10 to 90% RH, without condensation | |
| Weight | Approx. 3.0 kg (6.6 lb) | |








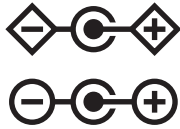
| | | | |
|-----------------------|-------------------------|----------|--|
| Input port | Computer In port | 1 | Mini D-Sub15-pin (female) |
| Output port | Display Out port | 1 | Mini D-Sub15-pin (female) Output: SXGA (1280 x 1024)/XGA (1024 x 768)/WXGA (1280 x 800)/HD (1360 x 768)/1080p (1920 x 1080) |
| | HDMI port*1 | 1 | HDMI Output: SDTV (480p)/HDTV (720p, 1080p) |
| Connector port | USB-B port*2 | 1 | USB connector (TypeB) Output: VGA/SVGA/XGA/SXGA/WXGA/720p/1080p |
| | SD card slot | 1 | SD/SDHC card compatible |


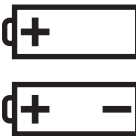






*1 HDMI CEC is supported, however, the operation of all compatible devices is not guaranteed.







*2 USB 2.0 is supported, however, the operation of all USB compatible devices is not guaranteed.

This product is also designed for IT power distribution system with phase-to-phase voltage 230V.

The following table lists the meaning of the safety symbols labeled on the equipment.

| No. | Symbol mark | Approved standards | Meaning |
|-----|---|-------------------------------|---|
| ① |  | IEC60417 No.5007 | "ON" (power) To indicate connection to the mains. |
| ② |  | IEC60417 No.5008 | "OFF" (power) To indicate disconnection from the mains. |
| ③ |  | IEC60417 No.5009 | Stand-by To identify the switch or switch position by means of which part of the equipment is switched on in order to bring it into the stand-by condition. |
| ④ |  | ISO7000 No.0434B IEC3864-B3.1 | Caution To identify general caution when using the product. |
| ⑤ |  | IEC60417 No.5041 | Caution, hot surface To indicate that the marked item can be hot and should not be touched without taking care. |
| ⑥ |  | IEC60417 No.6042 ISO3864-B3.6 | Caution, risk of electric shock To identify equipment that has risk of electric shock. |
| ⑦ |  | IEC60417 No.5957 | For indoor use only To identify electrical equipment designed primarily for indoor use. |
| ⑧ |  | IEC60417 No.5926 | Polarity of d.c. power connector To identify the positive and negative connections (the polarity) on a piece of equipment to which a d.c. power supply may be connected. |

| No. | Symbol mark | Approved standards | Meaning |
|-----|---|--------------------|---|
| ⑨ |  | IEC60417 No.5001B | Battery, general On battery powered equipment. To identify a device for instance a cover for the battery compartment, or the connector terminals. |
| ⑩ |  | IEC60417 No.5002 | Positioning of cell To identify the battery holder itself and to identify the positioning of the cell(s) inside the battery holder. |
| ⑪ |  | IEC60417 No.5019 | Protective earth To identify any terminal which is intended for connection to an external conductor for protection against electric shock in case of a fault, or the terminal of a protective earth electrode. |
| ⑫ |  | IEC60417 No.5017 | Earth Indicates a grounding port when No. 11 is not explicitly called for. |
| ⑬ |  | IEC60417 No.5032 | Alternating current To indicate on the rating plate that the equipment is suitable for alternating current only; to identify relevant terminals. |
| ⑭ |  | IEC60417 No.5031 | Direct current To indicate on the rating plate that the equipment is suitable for direct current only; to identify relevant terminals. |
| ⑮ |  | IEC60417 No.5172 | Class II equipment To identify equipment meeting the safety requirements specified for Class II equipment according to IEC 61140. |
| ⑯ |  | ISO 3864 | General prohibition To identify actions or operations that are prohibited. |

| No. | Symbol mark | Approved standards | Meaning |
|-----|---|-----------------------|--|
| 17 |  | ISO 3864 | Contact prohibition To indicate injury that could occur due to touching a specific part of the equipment. |
| 18 |  | --- | Never look into the optical lens while the projector is on. |
| 19 |  | --- | To indicate that the marked item don't place anything on projector. |
| 20 |  | ISO3864 IEC60825-1 | Caution, laser radiation To indicate the equipment has a laser radiation part. |
| 21 |  | ISO 3864 | Disassembly prohibition To indicate a risk of injury, such as electric shock, if the equipment is disassembled. |
| 22 |  | --- | Indicates that you should not look into the lens while the LED is on. |

DECLARATION of CONFORMITY

According to 47CFR, Part 2 and 15
Class B Personal Computers and Peripherals; and/or
CPU Boards and Power Supplies used with Class B Personal Computers

We: Epson America, Inc.
Located at: 3840 Kilroy Airport Way
MS: 3-13
Long Beach, CA 90806
Tel: 562-981-3840

Declare under sole responsibility that the product identified herein, complies with 47CFR Part 2 and 15 of the FCC rules as a Class B digital device. Each product marketed, is identical to the representative unit tested and found to be compliant with the standards. Records maintained continue to reflect the equipment being produced can be expected to be within the variation accepted, due to quantity production and testing on a statistical basis as required by 47CFR 2.909. Operation is subject to the following two conditions : (1) this device may not cause harmful interference, and (2) this device must accept any interference received, including interference that may cause undesired operation.

Trade Name: EPSON
Type of Product: Document Camera
Model: ELPDC13/ELPDC21

FCC Compliance Statement For United States Users

This equipment has been tested and found to comply with the limits for a Class B digital device, pursuant to Part 15 of the FCC Rules. These limits are designed to provide reasonable protection against harmful interference in a residential installation. This equipment generates, uses, and can radiate radio frequency energy and, if not installed and used in accordance with the instructions, may cause harmful interference to radio communications.

However, there is no guarantee that interference will not occur in a particular installation. If this equipment does cause interference to radio and television reception, which can be determined by turning the equipment off and on, the user is encouraged to try to correct the interference by one or more of the following measures.

- Reorient or relocate the receiving antenna.
- Increase the separation between the equipment and receiver.
- Connect the equipment into an outlet on a circuit different from that to which the receiver is connected.
- Consult the dealer or an experienced radio/TV technician for help.

WARNING

The connection of a non-shielded equipment interface cable to this equipment will invalidate the FCC Certification or Declaration of this device and may cause interference levels which exceed the limits established by the FCC for this equipment. It is the responsibility of the user to obtain and use a shielded equipment interface cable with this device. If this equipment has more than one interface connector, do not leave cables connected to unused interfaces. Changes or modifications not expressly approved by the manufacturer could void the user's authority to operate the equipment.

For Canadian Users

CAN ICES-3 (B) / NMB-3 (B)

All rights reserved. No part of this publication may be reproduced, stored in a retrieval system, or transmitted in any form or by any means, electronic, mechanical, photocopying, recording, or otherwise, without the prior written permission of Seiko Epson Corporation. No patent liability is assumed with respect to the use of the information contained herein. Neither is any liability assumed for damages resulting from the use of the information contained herein.

Neither Seiko Epson Corporation nor its affiliates shall be liable to the purchaser of this product or third parties for damages, losses, costs, or expenses incurred by the purchaser or third parties as a result of: accident, misuse, or abuse of this product or unauthorized modifications, repairs, or alterations to this product, or (excluding the U.S.) failure to strictly comply with Seiko Epson Corporation's operating and maintenance instructions.

Seiko Epson Corporation shall not be liable against any damages or problems arising from the use of any options or any consumable products other than those designated as Original Epson Products or Epson Approved Products by Seiko Epson Corporation.

The contents of this guide may be changed or updated without further notice.

Illustrations in this guide and the actual projector may differ.

Responsible Use of Copyrighted Materials

Epson encourages each user to be responsible and respectful of the copyright laws when using any Epson product. While some countries' laws permit limited copying or reuse of copyrighted material in certain circumstances, those circumstances may not be as broad as some people assume. Contact your legal advisor for any questions regarding copyright law.


Trademarks

Mac, OS X and macOS are registered trademarks of Apple Inc.

Microsoft, Windows, Windows Vista, and the Windows logo are trademarks or registered trademarks of Microsoft Corporation in the United States and/or other countries.



SDHC Logo is a trademark of SD-3C, LLC.

HDMI and High-Definition Multimedia Interface are the trademarks or registered trademarks of HDMI Licensing LLC. The HDMI logo, featuring the letters "HDMI" in a bold, sans-serif font with "HIGH DEFINITION MULTIMEDIA INTERFACE" written in smaller text below it.

Other product names used herein are for identification purposes only and may be trademarks of their respective owners. Epson disclaims any and all rights in those marks.

This information is subject to change without notice.

© SEIKO EPSON CORPORATION 2017. All rights reserved.