

SVEN®
YOU WANT – WE CAN

5.1 Active Home Theater
Speaker System With Bluetooth

OPERATION MANUAL



HT-210

www.sven.fi

Congratulations on your purchase of the Sven speaker system!**COPYRIGHT**

© 2016. SVEN PTE. LTD. Version 1.0 (V 1.0).

This Manual and information contained in it are copyrighted. All rights reserved.

TRADEMARKS

All trademarks are the property of their legal holders.

NOTICE OF RESPONSIBILITY RESTRICTION

Despite the exerted efforts to make this Manual more exact, some discrepancies may occur. The information in this Manual is given on «as is» terms. The author and the publisher do not bear any liability to a person or an organization for loss or damage which has arisen from the information contained in this Manual.

CONTENTS

1. BUYER RECOMMENDATIONS	1
2. PACKAGE CONTENTS.....	2
3. SAFETY PRECAUTIONS	2
4. TECHNICAL DESCRIPTION	2
5. PREPARATION AND OPERATION	5
6. TROUBLESHOOTING.....	11
7. TECHNICAL SPECIFICATIONS	12

1. BUYER RECOMMENDATIONS

- Unpack the device carefully. Make sure there are no accessories left in the box. Check up the device for damage; if the product was damaged during transportation, address the firm which carried out the delivery; if the product functions incorrectly, address the dealer at once.
- Check up the package contents and availability of the warranty card. Make sure the warranty card has a shop stamp, a legible signature or the seller's stamp and purchase date, and the number of the wall mount corresponds to that in the warranty card. Remember: in case of warranty card loss or discrepancy of numbers you forfeit the right for warranty repairs.
- Do not switch on the speaker system immediately after you bring it into a room from environment with negative temperature! After unpacking, the speaker system should be kept in conditions of room temperature for at least 4 hours.
- Before installing and using the speaker system, read this Manual carefully and keep it for future reference.
- Shipping and transportation equipment is permitted only in the original container.
- Does not require special conditions for realization.
- Dispose of in accordance with regulations for the disposal of household and computer equipment.

Technical support is on www.sven.fi.

2. PACKAGE CONTENTS

- Subwoofer – 1 pc
- Satellites – 5 pcs
- Remote control (RC) – 1 pc
- RC batteries (AAA type) – 2 pcs
- FM antenna – 1 pc
- Audio cables – 5 pcs
- Optical cable – 1 pc
- 2RCA to mini-jack (Ø 3.5 mm) signal cables – 3 pcs
- Satellite wall-mounting set – 6 pcs
- Operation manual – 1 pc
- Warranty card – 1 pc

3. SAFETY PRECAUTIONS



Caution! High voltage inside! To avoid the risk of electric shock do not open or touch elements inside.

- To avoid electric shock, do not open the HTSS and do not perform repairs by yourself. Service and repairs should be performed only by qualified specialists in an authorized service center. The list of authorized service centers is available on www.sven.fi.
- Do not allow the circuit of wires (including the grounded ones) between the speakers, on the power amplifier or the ground, for it causes damage to the power amplifier output stage.
- Do not touch the HTSS power cord plug pins for 2 seconds after unplugging it from the mains.
- Do not put foreign objects inside the holes of the HTSS.
- Protect the HTSS from high humidity, water and dust.
- Protect the HTSS from heating: do not locate it near heating appliances or expose to direct sunlight.
- Do not place sources of open flame on or near the HTSS.
- Do not place the HTSS in poorly ventilated areas. Leave an air gap of 10 cm or more. When operating the HTSS, do not put any devices on it, do not cover it with cloth or other objects preventing it from cooling.
- Do not clean the HTSS with chemicals, use dry soft cloth only.

4. TECHNICAL DESCRIPTION

HT-210 5.1 Home Theater Speaker System (HTSS) is designed for creating a home theater. The multichannel 5.1 amplifier built into the subwoofer enables to connect the HTSS to virtually any audio source.

HTSS special features

- Speaker system is compatible with PCs, DVD/Media-players, mobile devices and other sound sources
- Built-in FM tuner
- Digital VFD display
- Possibility to transform stereo signal to 5.1
- Built-in clock

Operation Manual

HT-210

- Built-in player for audio files from external storage devices
- Wireless signal transmission via Bluetooth
- Optical and coaxial inputs
- Remote control
- Wall mountable satellites
- Wooden (MDF) subwoofer and satellites cabinets

HTSS design

Subwoofer control panels

- ① VFD display
- ② IR: IR receiver
- ③ SD/MMC CARD: slot for SD/MMC cards* containing MP3 audio files
- ④ USB: slot for a USB flash device* containing MP3 audio files
- ⑤ ◀◀/CH-: previous track (pressed short in the Player mode); previous station** (pressed short in the Tuner mode)
- ⑥ ▶▶ /AUTO: play/pause (pressed short in the Player mode); start/stop auto scan (pressed short in the Tuner mode);
- ⑦ ▶▶/ CH+: next track (pressed short in the Player mode); next station** (pressed short in the Tuner mode)
- ⑧ INPUT/VOLUME -/+ : turn on (turn knob to the right / left) and volume control; turn off (long press); input switching, OPT / COX / DVD / AUX / PC / FM / MP3 / Bluetooth (short press)
- ⑨ OPTICAL INPUT: connector for optical input

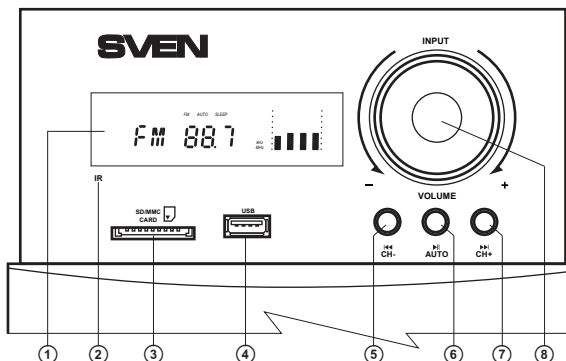


Fig. 1. Subwoofer control panel

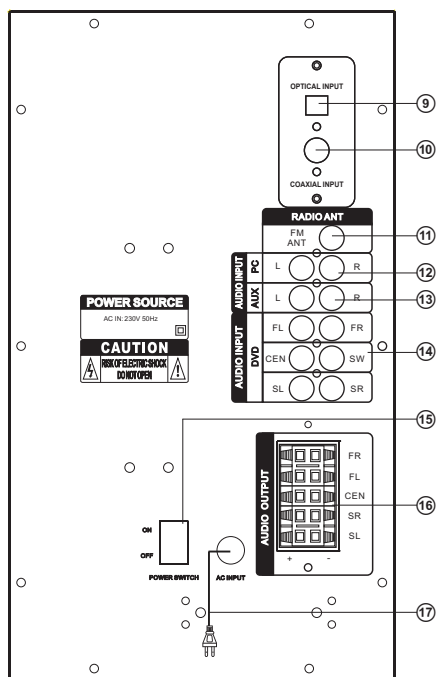


Fig. 3. Subwoofer rear panel

5.1 Active Home Theater Speaker System With Bluetooth

- ⑩ COAXIAL INPUT: coaxial input jacks
- ⑪ FM ANT: FM antenna input jack
- ⑫ PC: PC input jacks
- ⑬ AUX: line input jacks
- ⑭ DVD: DVD input jacks
- ⑮ ON/OFF: power switch
- ⑯ AUDIO OUTPUT: satellite output terminals
- ⑰ Power cord

Remote control

- ① INPUT: the MSS mode selection (OPT/COX/DVD/AUX/PC/FM/MP3/Bluetooth)
- ② SET: time setting (in the ST-BY mode)
- ③ TUNE+/-: manual band scanning buttons (in the Tuner mode)
- ④ CH- / ◀◀ / CH+ / ▶▶ : previous/next track (in the Player mode) previous/next station* (in the Tuner mode)
- ⑤ AUTO / ▶▶ : start auto scanning and memorizing stations in FM band (in the Tuner mode); play/pause (pressed short in the Player mode)
- ⑥ FL-/+ : left front channel volume up/down
- ⑦ SW+/- : subwoofer volume up/down
- ⑧ SL-/+ : left rear channel volume up/down
- ⑨ 0-9: numeric pad
- ⑩ PRO: on/off button of the conversion mode of a stereo signal to 5.1
- ⑪ BASS+/- : bass level up/down
- ⑫ CLOCK: show current time
- ⑬ ⏻: HTSS on/off button
- ⑭ SLEEP: Sleep mode switch-on time setting
- ⑮ MUTE: sound on/off
- ⑯ SAVE: memorize selected frequency button (in the Tuner mode)
- ⑰ FR-/+ : right front channel volume up/down
- ⑱ CEN-/+ : center channel volume up/down
- ⑲ VOL+/- : right rear channel volume up/down
- ⑳ SR-/+ : регулировка громкости правого тылового канала
- ㉑ RESET: return to default settings
- ㉒ TREBLE+/- : treble level up/down

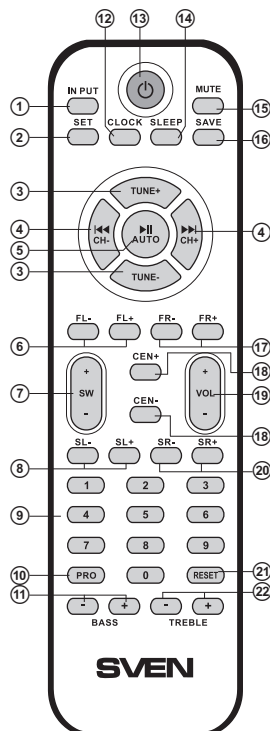


Fig. 4. Remote control

* The frequencies are switched if there are stations preset in the memory.

** The storage device must be formatted as FAT, FAT32. Memory cards SDHC class 10 or less can be used. Connecting devices other than USB flash drive is not recommended. Connection of HDDs and other devices can cause damage to the HTSS. Command processing time can be increased when using 8 Gb USB drive.

Installing RC batteries

- Open the battery compartment on the back of the remote control.
- Insert the included AAA batteries.
- Close the battery compartment.

Notes:

- **Use the RC at an angle no more than 30° at a distance of no more than 7 meters.**
- **Direct the remote control at the LED display on the subwoofer.**
- **If the remote control is inoperative, check the availability of batteries or change them.**
- **Remove the batteries from the RC if you don't intend to use it for a long time (more than a week).**

5. PREPARATION AND OPERATION**Speaker placement**

- To achieve optimum sound, it's recommended that you place the speakers according to Fig. 5. The center and front speakers should be located along an imaginary circle with the distance between the listener and the center channel speaker as a radius, and the listener's head as the center. Each of the three speakers should be placed at equal distance from the listener. The front speakers and the listener make up an equilateral triangle. The rear speakers are placed at the same distance from the listener (on the imaginary circle, too) at an angle of nearly 110° to the Listener – Display axis.
- Avoid placing your speakers in the corners and close to walls, as this can lead to unwanted resonance and distortions. If possible, place them at least 20 cm away from walls.

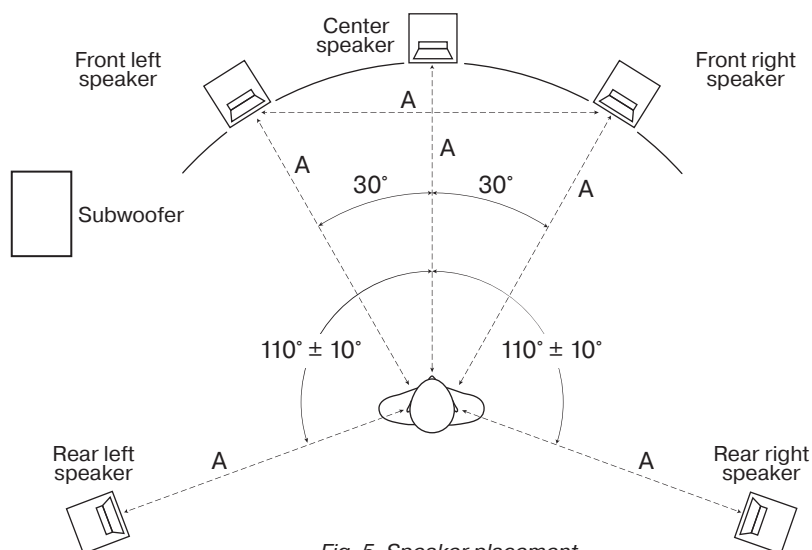


Fig. 5. Speaker placement

5.1 Active Home Theater Speaker System With Bluetooth

- For more accurate perception, the tweeters should be at the listener’s ear level.
- Do not locate the speakers in niches. Such placement can affect the sound badly, especially in the lows.
- The subwoofer emits non-directional sound, therefore it can be located in any place of the room where it sounds the best.

Connecting speakers to the subwoofer

- Connect the speakers to the subwoofer AUDIO OUTPUT ⑩ as shown in Fig. 6, using audio cables (included). Mind that the (+) terminals of the speakers should be connected to the (+) terminals of the subwoofer (+ → +), while (–) terminals of the speakers should be connected to the (+) terminals of the subwoofer (– → –).

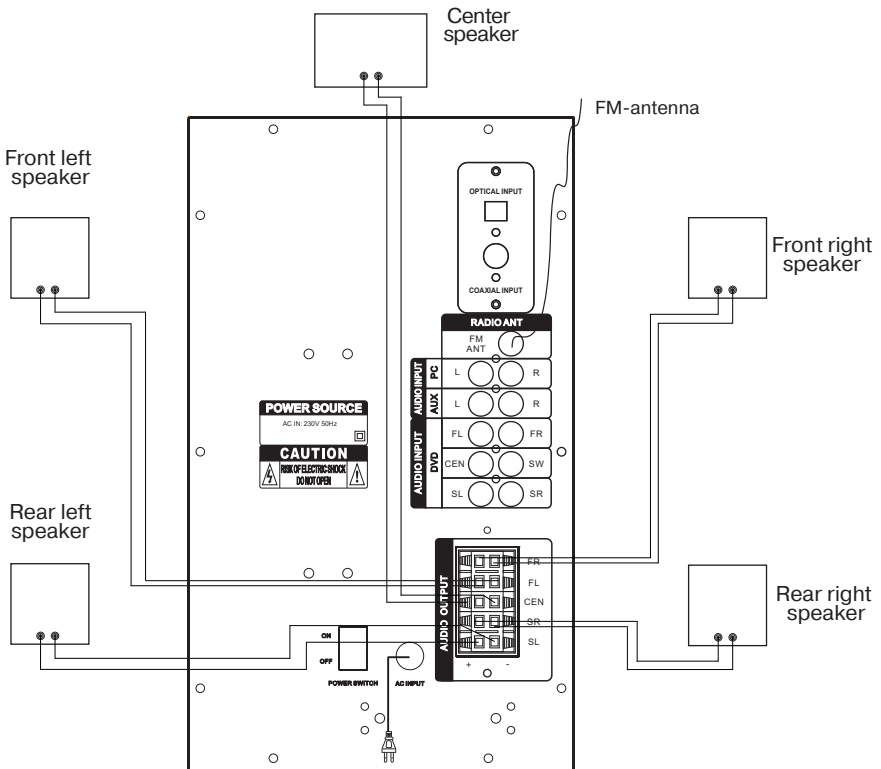


Fig. 6. Speaker connection diagram

- Check the correctness of connection polarity and the absence of contact between bared wires and metal parts of the equipment (see connection diagram in Fig. 6).

Installing and connecting the FM antenna

- Insert the included indoor FM antenna into the FM ANT ⑨ jack on the subwoofer rear panel, as shown in Fig. 6. Install the FM antenna in such a way that reception quality is satisfactory, and then fix the position of the antenna.

Note. *In buildings with weak FM signal use an outdoor FM antenna.*

Preparations

HT-210 speaker system can be connected to virtually any audio source: DVD/CD/MP3 player, PC sound card, etc. (see connection diagram, Fig. 7).

Caution! *Before making any connections, make sure the MSS is off and unplugged.*

- To connect the HTSS to PC sound cards, MP3/CD players, use the 2RCA to mini-jack signal cables from the package. Connect the RCA jacks and mini-jacks, as shown in Fig. 7.
- To connect the HTSS to CD/DVD/AUX player or TV use the included 2RCA to 2RCA stereo signal cables (not included) (see Fig. 7).
- To connect the HTSS to TV use the optical cable (included) or coaxial cable (not included) (see Fig. 7).

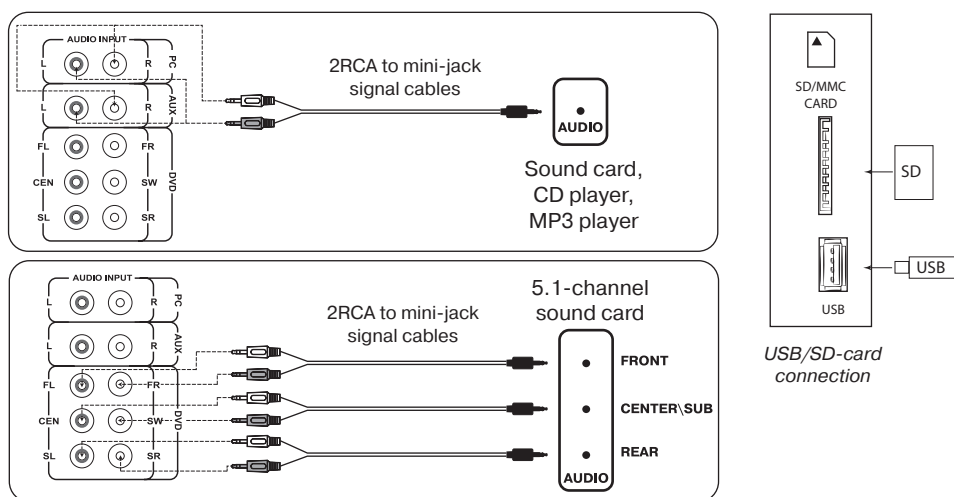


Fig. 7. Connection to audio sources

5.1 Active Home Theater Speaker System With Bluetooth

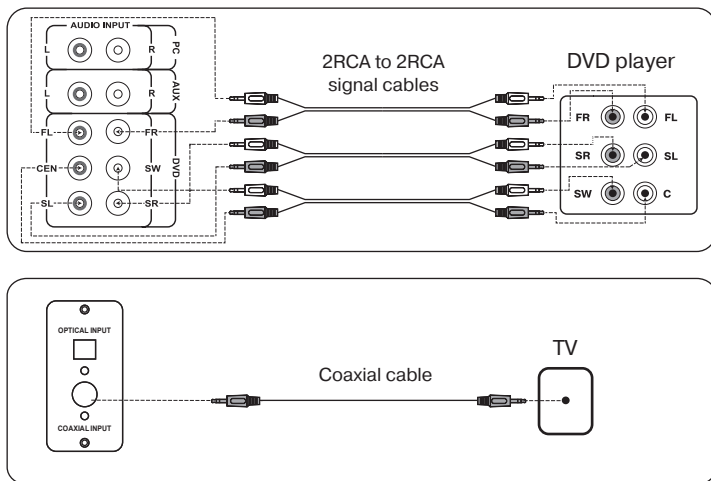


Fig. 7. Connection to audio sources

Switching on

- Connect the power cord ⑮ to the mains outlet.
- Switch on the HTSS power supply with the POWER ON/OFF switch on the subwoofer rear panel.
- Switch on the HTSS by turning the knob on the front panel or press the button on the remote control.
- Select the desired source by short pressing the INPUT button on the control panel or by pressing a button on the remote control.

Master volume control

- Adjust the desired master volume level with volume control knob on the subwoofer front panel or use buttons VOL +/- ⑱ on the RC.

Subwoofer and satellite speaker volume control

- The bass and treble level can be adjusted with BASS +/- ⑪ and TREBLE +/- ⑫ buttons respectively on the RC.
- The front, rear and center speaker volume can be adjusted with FL +/- ⑥, FR +/- ⑰, SL +/- ⑧, SR +/- ⑳ and CEN +/- ⑱ buttons on the RC. The SW +/- ⑦ buttons on the RC are used for adjusting the subwoofer volume control.

Switching modes

- To select any of PC, AUX, OPT, COX, Bluetooth, FM, MP3 or DVD modes use the volume control knob INPUT ③ on the front panel or INPUT ① button on the RC, when the HTSS is on (Fig. 4). The corresponding title will be displayed on the subwoofer and «PC», «AUX», «OPT», «COX», «BLUE», «Radio», «USB», «SD» or «DVD» LED indicators will illuminate.

2.1/5.1 Mode

- For 5.1 mode emulation from 2.1 mode use the PRO ⑩ button on the RC. LED indicator NORMAL/PROLOGIC will illuminate.

Player Mode

- To enter the Player mode press the volume control knob INPUT ⑧ on the subwoofer front panel or INPUT ① button on the remote control. The LED display will show the selected mode for a short moment, then the number of the tracks found and the number of the track played, and then the playback time elapsed. The Player mode will start automatically.
- To select a track, you can enter directly its sequence number on the remote control or select it using buttons ⑤, ⑦ on the front panel or buttons ④ on the RC. The display will show the track number for a short moment, and then the playback time elapsed.

Tuner Mode

- To switch to the FM mode, use the volume control knob INPUT ⑧ on the subwoofer front panel or use INPUT ① button on the remote control, FM indicator lights up on the control panel.
- To auto scan and memorize the found stations, press short the button ⑥ on the front panel or the ⑤ button on the remote control. To stop auto scanning, press this button again before the scanning is over. The frequency being scanned is displayed on the front panel and when the station is being memorized its assigned sequence number is displayed for a short moment.
- For manual scanning use buttons TUNE- (down the frequency range) and TUNE+ (up the frequency range). To save the selected station, press the SAVE ⑯ button, and then with the buttons ④ assign the station its number and press the SAVE ⑯ button again. When the station has been memorized, the "Good" message will be displayed.
- If preset stations are available in the memory, you can switch from one to another by short pressing buttons ⑤, ⑦ on the front panel or buttons ④ on the remote control. The station frequency can also be entered with the numeric pad buttons. The radio will tune to the set frequency within 2-3 seconds.

Clock Mode

- When the HTSS is in the ST.BY mode, the display ① shows the current time. When the system is in a different mode, to see the time use the CLOCK ⑫ button on the remote control. The current time will be displayed for 3-5 seconds.
- To set the current time, go to the ST.BY mode by pressing the volume control knob INPUT ⑧ on the front panel or button ⑬ on the remote control long. To enter the time setting mode, press the SET ② on the remote control (the corresponding position will start blinking on the display ①). Set the minutes and hours directly from the RC numeric pad ⑨ or using buttons ⑤, ⑦ on the front panel or buttons ④ on the RC. Press the SET ② button short to switch between setting hours/minutes and to exit the setting mode.

Bluetooth mode

- In order to transmit signal in this mode it is necessary at first to connect the device with a signal source (see Fig. 5). For this purpose select the Bluetooth mode using the volume control knob INPUT ⑧ on the front panel or button INPUT ① on the RC. After 2-3 seconds the speaker system will enter the search mode, “BLU” mode will be shown on the display.
- It is necessary to select the search mode of devices with Bluetooth on a signal source (telephone, notebook, smartphone, etc.). “HT-210” message will be displayed on the screen which it should be connected to*.
- The “BLU” indicator lights continuously when connection is successful. If there is no connection, “BLU” indicator will blink. In this case the system should be switched over to the search mode once again (turn off and turn on Bluetooth mode)**.
- When the Bluetooth connection is active, you can control the audio source player with the remote control or with buttons on the subwoofer front panel.

* * You might have to enter “0000” code to connect some models via Bluetooth.

** If an item has been already registered in the device list of sources, then the second search mode activation is not needed. Choose only the item name and the “connect” command on the source.

ST-BY Mode

- To enter/exit this mode, press and hold down the volume control knob INPUT ⑧ on the front panel or button ⑬ on the RC. When the HTSS is in the ST-BY mode, the display ① shows the current time.

Audio setting reset

- Press the RESET ⑳ button on the remote control to reset audio settings.

Notes:

- *If the MSS is left unused for a long period of time, mind to switch it off with the POWER switch (⑮, OFF position) and unplug the power cord ⑰ from the mains socket.*
- *To improve the sound quality, use the Line-Out port of your sound card.*

6. TROUBLESHOOTING

Problem	Cause	Solution
The HTSS does not turn on.	The HTSS isn't connected to a mains outlet.	Check the connection.
	The power switch is off.	Turn on the switch.
No sound.	Volume level is set at minimum value.	Adjust the volume control knob.
	Improperly connected audio source.	Connect audio sources correctly.
There is too quiet sound of speakers.	Volume level is set at its minimum value.	Adjust the volume control knob.
Distortion of sound.	Large amplitude of the input signal.	Turn down the source volume and the HTSS volume.
The remote control is not working.	The batteries are discharged.	Replace batteries with new ones.
	There is direct sunlight.	Change the subwoofer or remote control location.
	Obstacle between the remote control and the subwoofer receiver.	Change the subwoofer or remote control location.
The FM tuner is not working.	The FM tuner is not connected.	Connect the FM antenna.
	Poor reception of the antenna.	Connect an outdoor FM antenna.

If none of the above methods can solve the problem, please seek professional advice at your nearest service center. Never attempt to repair the product yourself.

7. TECHNICAL SPECIFICATIONS

Parameter, measurement unit	Value
Output power (RMS), W: subwoofer satellites	125 (50 + 5 × 15) 50 5 × 15
Frequency response, Hz: subwoofer satellites	40 – 200 200 – 20,000
Frequency bands: USW, MHz (50 kHz step)	87.0 – 108.0
Speaker diameters, mm: subwoofer satellites	Ø 176 Ø 80 + Ø 37
Power supply, V/Hz	~230/50
Radius of Bluetooth operation, m	up to 10
Dimensions (W × H × D), mm: subwoofer satellites center speaker	198 × 345 × 300 120 × 216 × 103 282 × 120 × 105
Weight, kg	12.4

Notes:

- **Technical specifications given in this table are supplemental information and cannot give occasion to claims.**
- **Technical specifications and package contents are subject to change without notice due to the improvement of SVEN production.**

5.1 Active Home Theater Speaker System With Bluetooth

SVEN®
YOU WANT – WE CAN



Model: **HT-210**

Импортер в России: ООО «РЕГАРД», 109052,
РФ, г. Москва, ул. Нижегородская, д. 86, корп. Б.
Уполномоченная организация в России: ООО «РТ-Ф»,
105082, г. Москва, ул. Фридриха Энгельса, д. 75, стр. 5.
Условия гарантийного обслуживания смотрите
в гарантийном талоне или на сайте **www.sven.fi**.
Гарантийный срок: 12 мес. Срок службы: 5 лет.
Производитель: «СВЕН ПТЕ. Лимитед», 176
Джу Чиаг Роуд, № 02-02, Сингапур, 427447.
Произведено под контролем «Свен Скандинавия
Лимитед», 48310, Финляндия, Котка, Котolahdentie, 15.
Сделано в Китае.

Manufacturer: SVEN PTE. LTD, 176 Joo Chiat Road,
№ 02-02, Singapore, 427447. Produced under the
control of Oy Sven Scandinavia Ltd. 15, Kotolahdentie,
Kotka, Finland, 48310. Made in China.

© Registered Trademark of Oy SVEN
Scandinavia Ltd. Finland.



HT-210