

4K 60Hz

HDMI™ 4K 60Hz UHD Splitter 4 Port

- ✔ Supported resolutions up to: 4096 x 2160p at 60Hz
- ✔ Supports Full 3D
- ✔ Supports HDCP 1.4 and 2.2
- ✔ Supports compressed audio such as DTS® Digital and Dolby® Digital
- ✔ Plug & Play, no driver installation needed
- ✔ Video Amplifier Bandwidth, 6Gbps/600Mhz

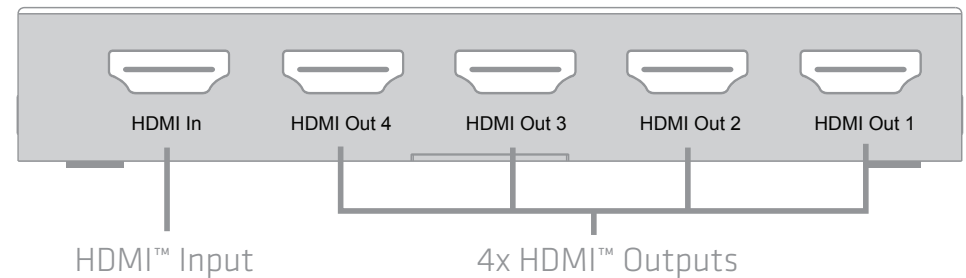
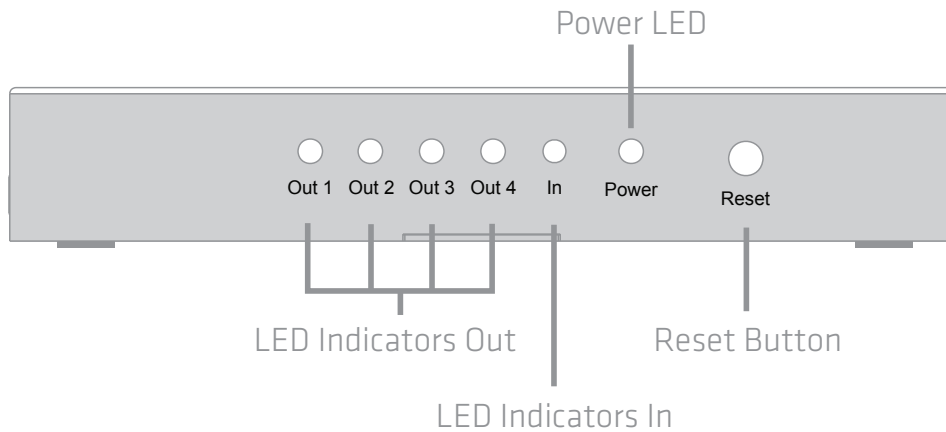


Introduction

The SenseVision HDMI™ 4K 60Hz UHD Splitter 4 Ports is a high-performance and small-sized HDMI™ 4K 60Hz UHD Splitter with one input and four outputs. It has a mat black metal casing, which makes it very strong and sturdy. An ideal assistant both at home and in the workplace.

This HDMI™ 4K 60Hz UHD Splitter routes high definition video, in resolutions up to 4K @ 60Hz, and digital audio from the source input to any of the four connected 4K UHD televisions, monitors or projectors.

The CSV-1380 SenseVision HDMI™ 4K 60Hz UHD Splitter comes with an AC Power Adapter for 5V/ 2A and its maximum power consumption is 3.2 Watt.



Package contents

Before attempting to use this unit, please check the packaging and make sure the following items are contained in the shipping carton:

- HDMI™ 4K 60Hz UHD Splitter 4 Ports
- Power Adapter (5V/2A)
- Manual

Features

- Supported resolutions up to: 4096 x 2160p at 60Hz
- Supports Full 3D
- Supports HDCP 1.4 and 2.2
- Supports compressed audio such as DTS® Digital, Dolby® Digital
- Easy to use, no software installation needed
- Video Amplifier Bandwidth, 6Gbps / 600Mhz

Connection and operation

- 1) Connect the HDMI™ video source to the HDMI™ input of the Splitter with one HDMI™ cable (HDMI cables are optional)
- 2) Connect the four outputs of the Splitter to four displays
- 3) Turn on the power

Specifications

Input/Output Connector	
Input	HDMI X1
Output	HDMI X4
Operating Frequency	
Vertical Frequency Range	24/30/50/60Hz
Video Amplifier Bandwidth	6Gbps/600MHz
Resolutions(HDTV)	
Interlaced(50&60Hz)	480i,576i,1080i
Progressive(50&60Hz)	Max up to 4kx2k@60Hz
Physical	
Size(L-W-H)	123x51x20mm
Weight(Net)	156g
Warranty	
Limited Warranty	1 Year
Environmental	
Operating Temperature	0°C to +45°C
Operating Humidity	10% to 85 % RH (no condensation)
Storage Temperature	-10°C to 70°C
Storage Humidity	5% to 90 % RH (no condensation)
Power Requirement	
External Power Supply	5V/2A
Power Consumption (Max)	3.2W
Accessories	
User Manual	English Version

Connection diagram

