



DAB and FM radio DAB-60

denver.eu

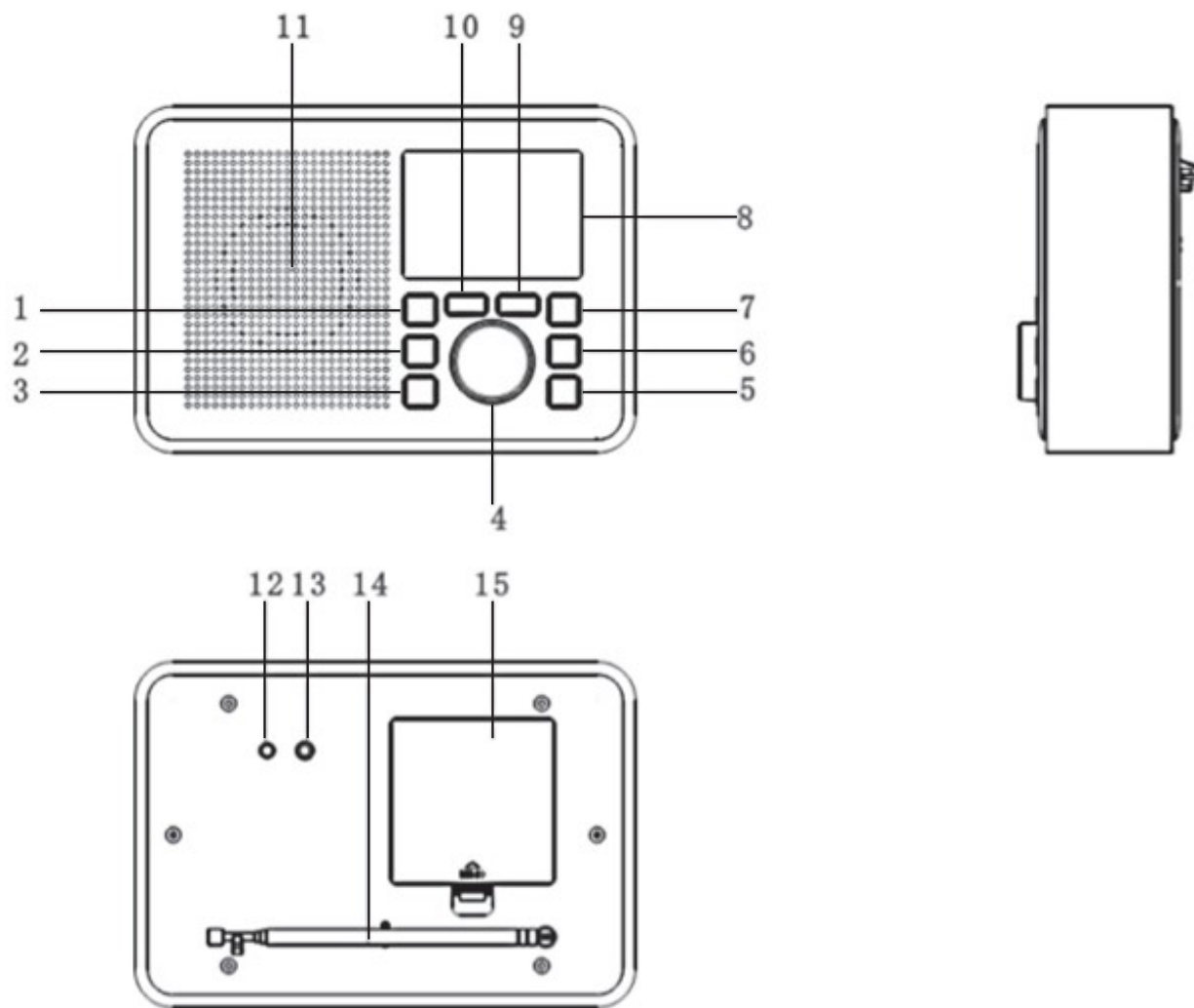
04/22

Safety information

Please read the safety instructions carefully before using the product for the first time and keep the instructions for future reference.

1. This product is not a toy. Keep it out of reach of children.
2. Keep product out of the reach of children and pets to avoid chewing and swallowing.
3. Never use old and new batteries or different types of batteries together. Remove the batteries when you are not using the system for a longer period of time. Check the polarity (+/-) of the batteries when inserting them in the product. Wrong positioning can cause an explosion. Batteries are not included.
4. Product operating and storage temperature is from 0 degree Celsius to 40 degree Celsius. Under and over this temperature might affect the function.
5. Never open the product. Touching the inside electrics can cause electric shock. Repairs or service should only be performed by qualified personnel.
6. Do not expose to heat, water, moisture, direct sunlight!
7. Please protect your ears against loud volume. Loud volume can damage your ears and risk in hearing loss.
8. The unit is not waterproof. If water or foreign objects enter the unit, it may result in fire or electric shock. If water or a foreign object enters the unit, stop use immediately.
9. Only charge with supplied Adaptor. The direct plug-in adapter is used as disconnect device, the disconnect device shall remain readily operable. So, make sure there is space around the power outlet for easy access.
10. Do not use non original accessories together with the product as this can make the product functionality abnormal.

LOCATION OF CONTROLS



- 1. POWER BUTTON
- 2. PLAY/SCAN BUTTON
- 3. SELECT/SNOOZE BUTTON
- 4. VOLUME KNOB
- 5. TUNE - BUTTON
- 6. TUNE + BUTTON
- 7. MENU/INFO BUTTON
- 8. LCD DISPLAY

- 9. MODE BUTTON
- 10. PRESET BUTTON
- 11. SPEAKER
- 12. 6V DC JACK
- 13. HEADPHONE JACK
- 14. FM TELESCOPIC ANTENNA
- 15. BATTERY DOOR

POWER SUPPLY

OPERATING THE UNIT ON AC POWER

Insert one end of the supplied power cord into the 6V DC socket located at the rear of the unit and the other end into the wall outlet.

OPERATING THE UNIT ON BATTERY POWER

1. To run your unit on battery power, the AC power cord must be disconnected from the product.
2. Unplug the AC power cord from the unit and insert 4 size "AA" batteries (not provided) into the compartment.

DAB Radio mode

Press MODE until you are in DAB mode.

The first time you use the Radio or if the station list is empty, your radio will automatically begin to scan for DAB radio stations. A progress bar will be shown, and the number of stations found during the scan will also be displayed.

Changing DAB stations

Press TUNE +/ TUNE - to scroll through the available stations.

When the station that you would like to listen to is displayed, press SELECT/SNOOZE to select.

Manual scan In DAB mode:

Press PLAY/SCAN to begin a search for stations. The display will change to 'Scanning...' A progress bar will be shown, and the number of stations found during the scan will also be displayed.

FM Radio mode

Press MODE to go to FM mode.

Tuning into an FM station

Press and hold TUNE + for 2 seconds to scan up the frequency band.

Press and hold TUNE - for 2 seconds to scan down the frequency band.

Press TUNE +/ TUNE - to fine tune each frequency in 0.05MHz steps.

Storing a DAB and FM station preset

Your Radio can store up to 20 DAB and 20 FM radio stations.

1. Tune the Radio to the station that you wish to preset.
2. Press and hold PRESET for approximately 2 seconds until <Preset Save> is displayed.
3. Use TUNE +/ TUNE - to move to the preset location that you would like to use to store the radio station (1-20).
4. Press SELECT/SNOOZE, the display will confirm Preset X Saved, where 'X' is the number of the preset (1-20).

Note: Any existing station already stored under a preset will be overwritten when you store the new station.

Go to a DAB and FM station preset

1. Press PRESET until <Preset List> is displayed.
 2. Use TUNE +/ TUNE - to move to the station that you would like to listen to (1-20).
 3. Press SELECT/SNOOZE. The radio will tune to that station and begin to play.
- Note:** If no station has been stored under MENU, the radio will revert to the last selected radio station.

Bluetooth mode

Press MODE until you are in Bluetooth mode. It will be ready to pair automatically.

Use your mobile phone to search for a Bluetooth device with the name of "Denver DAB-60".

Please connect it with the password of "0000" (if any).

Time and date

The first time you listen to DAB radio, the time and date of your product will be synchronized automatically by the DAB service.

- You can use TUNE +/ TUNE - to scroll and change the settings for:
- 12/24 hour clock display
- The date format, DD-MM-YYYY or MM-DD-YYYY
- Auto updating of the time from the DAB or FM signal or no auto updating.

Setting the alarm

1. In DAB mode, Press MENU/INFO to enter the menu.
Go to Main menu then <Alarms> and then choose Alarm 1 or 2.
2. Alarm 1 (or 2) info is displayed. Go to <Enable>.
3. Frequency for the alarm. You can choose from Off, Daily, Once, Weekdays or Weekends. Press SELECT/SNOOZE to select.
4. Go to <Time>. Press to select and the hour digits for the alarm will flash. Set the alarm.
5. Scroll to <Mode > and press to select. Scroll to the sound source for the alarm. You can choose from Buzzer, DAB or FM. Press to select.
6. Scroll to <Volume> . Press to select and adjust to the desired alarm volume, press for confirm
7. Scroll to <Save>. Press to confirm.

Note: An alarm symbol in the bottom of the radio display together with the digit "1" or "2" will confirm that an alarm has been set.

Note: If the time is not set or has failed to update from the radio signal, No time set will be displayed when you try to set the alarm. The radio will then prompt you to set the time. An alarm can only be set after the time has been set.

Stop the Alarm

When the alarm sounds, press POWER, 'Alarm off' is displayed.

Note: If you press POWER to stop the alarm, the alarm symbol will remain in the display and the alarm will sound again at the same time the next day, unless it was set for 'Once' only.

Sleep timer

You can set the unit to turn off automatically using the sleep timer.

1. Press and hold MENU/INFO to enter the menu options.
2. Scroll to <Main menu>. Press SELECT/SNOOZE to confirm.
3. Scroll to <Sleep>. Press SELECT/SNOOZE to confirm Use TUNE +/ TUNE - to cycle through the different sleep time options such as Sleep off, 15, 30, 45, 60 and 90 minutes.

Note: To cancel the sleep timer, follow the steps to set the sleep time but stop when 'off' is displayed.

SNOOZE FUNCTION

When the Alarm activates, press SELECT/SNOOZE then the alarm will turn off and will ring again 9 minutes later.

Display backlight brightness

You can adjust the display backlight brightness.

1. Press and hold MENU/INFO to enter the menu.
2. Scroll to <Main menu>. Press SELECT/SNOOZE.
3. Scroll to <Backlight>. Press SELECT/SNOOZE.
4. Use TUNE +/ TUNE - to scroll through the available backlight brightness Options of 0, 1, 2, 3, 4, 5, 6, 7 and 8. Stop when the backlight brightness you would like is displayed and press SELECT/SNOOZE.

Display language

You can change the display language of your radio, there are 4 options available: English, French, German and Italian.

1. Press and hold MENU/INFO to enter the menu options.
2. Scroll to <Main menu>. Press and confirm
3. Scroll to <Language>. Press and confirm
4. Scroll to the language you would like. Press to confirm.

Factory reset

You can reset your radio and restore all the original factory settings.

Note: Factory Reset can be used to clear the station list, the presets and sleep settings. This is useful if you move the radio to a different location as some stations may not be available in the new area.

1. Press and hold MENU/INFO to enter the menu.
2. Scroll to <Main menu> then press SELECT/SNOOZE to confirm
3. Scroll to <Factory reset> then press SELECT/SNOOZE.
4. Scroll to <Yes> and press the SELECT/SNOOZE again.
5. After a few seconds the display will then go into Standby mode. When you next power on your radio from Standby mode, it will begin an automatic scan for DAB stations.

Please notice - All products are subject to change without any notice. We take reservations for errors and omissions in the manual.

ALL RIGHTS, COPYRIGHT DENVER A/S



denver.eu



Electric and electronic equipment contains materials, components and substances that can be hazardous to your health and the environment, if the waste material (discarded electric and electronic equipment) is not handled correctly.

Electric and electronic equipment is marked with the crossed out trash can symbol, seen above. This symbol signifies that electric and electronic equipment should not be disposed of with other household waste, but should be disposed of separately.

All cities have established collection points, where electric and electronic equipment can either be submitted free of charge at recycling stations and other collection sites, or be collected from the households. Additional information is available at the technical department of your city.

Hereby, Denver A/S declares that the radio equipment type DAB-60 is in compliance with Directive 2014/53/EU. The full text of the EU declaration of conformity is available at the following internet address: denver.eu and then click the search ICON on topline of website. Write model number: DAB-60. Now enter product page, and RED directive is found under downloads/other downloads.

Operating Frequency Range: DAB: 174-239MHz

FM: 87.5-108MHz

Max Output Power: 10W / 1W RMS

Denver A/S

Omega 5A, Soeften

DK-8382 Hinnerup

Denmark

www.facebook.com/denver.eu

Contact

Nordics

Headquarter
Denver A/S
Omega 5A, Soeften
DK-8382 Hinnerup
Denmark

Phone +45 86 22 51 00
(Push "2" for support)

E-Mail
For technical questions, please write to:
support.hq@denver.eu

For all other questions please write to:
contact.hq@denver.eu

Germany

Denver Germany GmbH Service
Gutenbergstrasse 1
94036 Passau

Phone: +49 851 379 369 40

E-Mail support.de@denver.eu

Fairfixx GmbH
Repair and service
Rudolf-Diesel-Str. 3 TOR 2
53859 Niederkassel

(for TV, E-Mobility/Hoverboards/
Balanceboards, Smartphones & Tablets)

Phone: +49 851 379 369 69

E-Mail: denver@fairfixx.de

Austria

Lurf Premium Service GmbH
Deutschstrasse 1
1230 Wien

Phone +43 1 904 3085

E-Mail denver@lurfservice.at

Benelux/France

Denver Benelux BV
Barwoutswaarder 13C+D
3449 HE Woerden
The Netherlands

Phone +31 348 420 029

E-Mail support-nl@denver.eu

Spain

Denver Spain S.A.
C/ Moscú, 1 Pol.Ind.Mas de Tous
46185 La Pobla de Vallbona
Valencia (Spain)

Phone +34 960 046 883

Mail serviciotecnico.denver@denver.eu

Portugal

Phone +35 1255 240 294
E-Mail denver.service@satfiel.com

If your country is not listed above,
please write an email to

support@denver.eu



Denver A/S
Omega 5A, Soeften
DK-8382 Hinnerup
Denmark
denver.eu
facebook.com/denver.eu