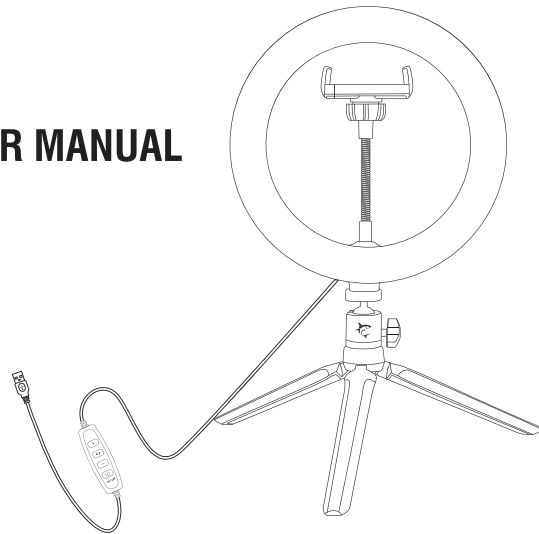




RL-08  
**MOONLIGHT**  
RING LED LIGHT

**USER MANUAL**



**8" LED Ring Light**  
Input: DC 5.0V--2000mA

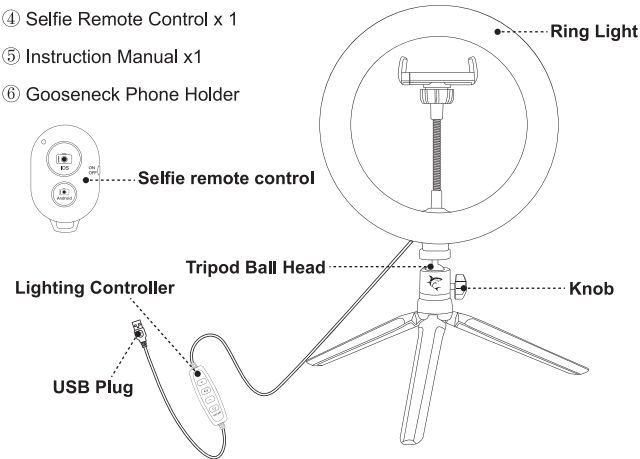
Made in China

**Thank you for purchasing the Selfie Ring Light.**

Please read the instructions and warnings carefully before use to ensure your safety and satisfaction of this product.

**Package Included**

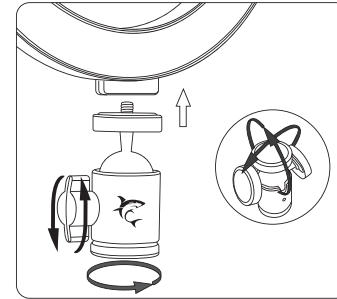
- ① 8" Ring Light X1
- ② Tripod Ball Head x1
- ③ Tripod x1
- ④ Selfie Remote Control x 1
- ⑤ Instruction Manual x1
- ⑥ Gooseneck Phone Holder



**⚠ WARNING**

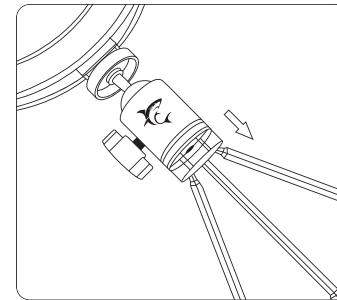
- Do not use this product in a damp place.
- Prevent exposure to the sun.
- When not use for a long time, please unplug.

**How to Install The Ring Light**



1. Insert the Tripod Ball Head into the screw hole of the ring light, screw the bottom of the Tripod Ball Head clockwise.

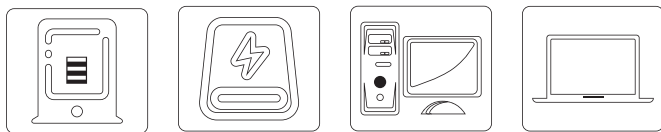
**Note: Rotate the Tripod Ball Head. The joint ball design allows the ring light to be adjusted to 360°. Then, tighten the Tripod Ball Head.**



2. Assemble the ring light with the Tripod Ball Head on the saddle plate using the screw.

## How to Adjust The Brightness

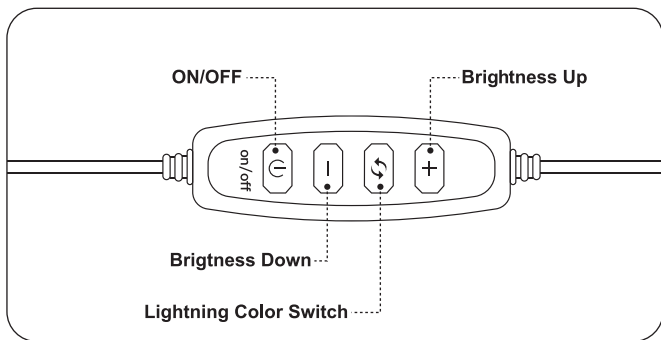
1. Connect the USB plug to power supply (USB socket, computer notebook, portable power).



USB Socket      Portable Power      Computer      Notebook

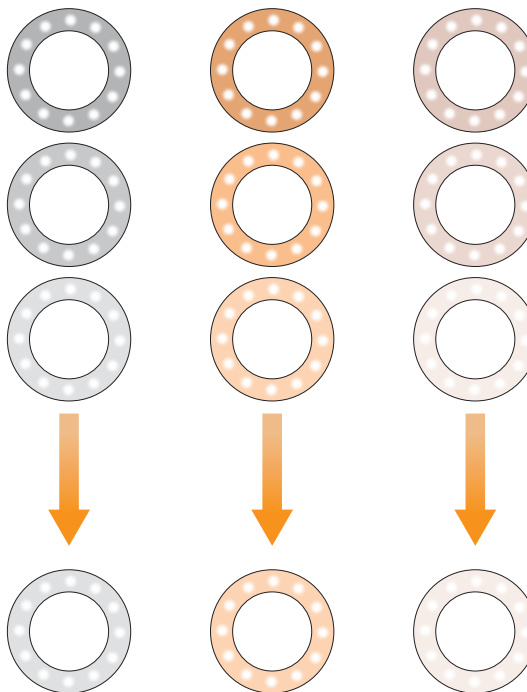
2. Press the power key  to turn on or off the light controller.

3. To adjust the brightness, press the + or - button. We offer ten levels of brightness for your preference.



Lighting Controller

4. To adjust the color temperature, press the lighting color switch. We offer three modes: cool light (white), warm light (yellow) and natural light (white + yellow).



# WARRANTY CARD / JAMSTVENI LIST

ITEM/MODEL:  
Naziv/model proizvođača:

RECEIPT NO. / DATE OF PURCHASE:  
Broj i datum računa:

SELLING SPOT (COMPANY):  
Prodajno mjesto:

THE CUSTOMER:  
Kupac:

WARRANTY PERIOD  
(MONTHS):  
Jamstveni rok  
(Mjesec):

**24**

SIGNATURE / STAMP:  
Potpis i pečat:

All White Shark products are examined and tested after each stage of the production process and have all the required certificates (EMC, CE, ...). The products are subject to the following warranty conditions: • The warranty period for White Shark products is 24 months (on batteries 6 months) and begins on the day of being sold in the store. • The warranty can only be claimed upon presentation of the original purchase invoice and a filed warranty paper with a stamp from the store it was bought at, and if the product has original packaging and all components and equipment. • All malfunctioning of the product resulting from factory defects, that occur during the warranty period, and in the normal use of the product in compliance with all instructions will be removed. This warranty covers only defects in material and production. • If the product malfunctions during the warranty period, your White Shark distributor will give you the product (after which is checked by a professional) repaired or replaced. • If the repair at the authorized service center is not completed within 30 days of being received at the service center, we will replace the product with a new one. If the repair during the warranty period lasts longer than 15 days, the warranty period is extended by as many days as the repair lasted. • If the device needs to be repaired within the warranty period, contact the store where you bought the product. If the product has to be sent to an authorized service center or general distributor, please send the product (with all parts and accessories) in the original packaging and with all the necessary documents (invoice, warranty card, etc.). The product can be repaired only in the authorized service center of the importer. The costs of shipping the product to the service center are funded by the customer. Possible damage to the product that can occur during transport is at the expense and risk of the buyer. Sending the product from the service center to the customer is funded by the service technician/the importer. This warranty does NOT cover: • Damage or malfunctions that would occur as a result of incorrect connection, incorrect polarization, incorrect battery placement, etc. • Defects caused by improper handling of products, use of parts or equipment that is not prescribed by our specifications, unauthorized product modification, and defects mechanical damage to the product. • Defects that can occur due to product fall, use of force, natural disasters (flood, fire, thunder, earthquake...), due to battery leakage, due to unstable 220V voltage, frequent variations and/or power outages, etc. • Damage caused during transport to the customer. • Products that have been opened or repaired by an unauthorized person. • Parts that are considered consumables such as batteries, etc.

Svi White Shark proizvodi su provjereni i testirani nakon svake faze proizvodnog procesa te imaju sve potrebne certifikate (EMC, CE, ...) te podliježu sljedećim jamstvenim uvjetima: • Jamstveni rok na White Shark proizvode je 24 mjeseca (na baterije 6 mj.) i počinje teći danom prodaje u trgovini. • Jamstvo se može ostvariti samo uz predložene originalnog računa o kupnji i uredno popunjenoj jamstvenog lista sa žigom trgovine, te ako proizvod ima originalnu ambalažu sve sastavne dijelove i opremu. • Svi nedostaci i kvarovi koji su posljedica tvorničkih grešaka i koji su nastali u jamstvenom roku i pri normalnoj uporabi proizvoda i pri poštivanju svih naputaka će biti otklonjeni. Ovo jamstvo obuhvaća samo greške nastale u materijalu i izradi. • Ako se proizvod pokvari tijekom jamstvenog roka, Vaš White Shark distributer će Vam proizvod popraviti ili zamijeniti nakon što ga provjeri stručna osoba. • Ako popravak u ovlaštenom servisu nije izvršen u roku 30 dana od primitka u servis, proizvod ćemo zamijeniti novim. U slučaju da popravak u jamstvenom roku traje duže od 15 dana, jamstveni rok se produžuje za onoliko dana koliko je popravak trajao. • Ako se ukaže potreba popravka uređaja u jamstvenom roku, kontaktirajte trgovinu u kojoj ste proizvod i kupili. Ako proizvod treba poslati ovlaštenom servisu ili generalnom distributeru, molimo Vas da kompletan proizvod (sa svim dijelovima i opremom) bude zapakiran u originalnu ambalažu te da priložite sve potrebne dokumente (račun i ovjereni jamstveni list). Popravak aparata vrši se isključivo u ovlaštenom servisu uvoznika. Troškove prijevoza proizvoda na servis snosi kupac. Kupac preuzima rizik za moguća oštećenja tijekom prijevoza. Slanje proizvoda od servisa do kupca snosi servis/tj. uvoznik. Ovo jamstvo NE obuhvaća: • Oštećenja ili kvarove koji su nastali kao posljedica nepravilnog priključivanja, krive polarizacije, pogrešnog stavljanja baterija i sl. • Kvarove nastale zbog nepropisanog rukovanja proizvodom, korištenja dijelova ili opreme koja nije propisana našim specifikacijama, neovlaštenog modificiranja proizvoda te kvarove nastale mehaničkim oštećenjem proizvoda. • Kvarove koji mogu nastati uslijed pada proizvoda, uporabe sile, više sile tj. elementarnih nepogoda (poplava, požar, grom, potres...), uslijed curenja baterije, uslijed nestabilnog 220V napona, čestih varijacija i/ili nestanaka struje i sl. • Oštećenja nastala pri prijevozu do kupca. • Proizvod koji je otvoren i/ili popravljan od strane neovlaštene osobe. • Dijelove koji se smatraju potrošnim kao što su baterije i sl.